

LCD Data Projector

Operating Instructions _____ **GB**

Mode d'emploi _____ **FR**

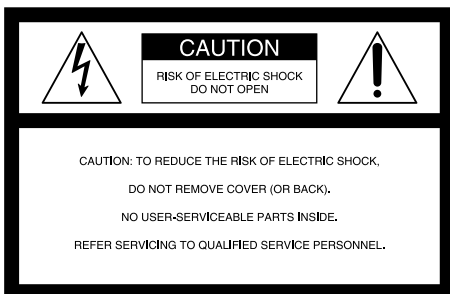
Manual de instrucciones _____ **ES**

VPL-CS1

WARNING

To prevent fire or shock hazard, do not expose the unit to rain or moisture.

To avoid electrical shock, do not open the cabinet. Refer servicing to qualified personnel only.



This symbol is intended to alert the user to the presence of uninsulated “dangerous voltage” within the product’s enclosure that may be of sufficient magnitude to constitute a risk of electric shock to persons.



This symbol is intended to alert the user to the presence of important operating and maintenance (servicing) instructions in the literature accompanying the appliance.

For the customers in the USA

Declaration of Conformity

Trade Name: SONY
Model No.: VPL-CS1
Responsible Party: Sony Electronics Inc.
Address: 1 Sony Drive, Park Ridge,
NJ.07656 USA
Telephone No.: 201-930-6970

This device complies with Part 15 of the FCC Rules. Operation is subject to the

following two conditions: (1) This device may not cause harmful interference, and (2) this device must accept any interference received, including interference that may cause undesired operation.

This equipment has been tested and found to comply with the limits for a Class B digital device, pursuant to Part 15 of the FCC Rules. These limits are designed to provide reasonable protection against harmful interference in a residential installation. This equipment generates, uses, and can radiate radio frequency energy and, if not installed and used in accordance with the instructions, may cause harmful interference to radio communications. However, there is no guarantee that interference will not occur in a particular installation. If this equipment does cause harmful interference to radio or television reception, which can be determined by turning the equipment off and on, the user is encouraged to try to correct the interference by one or more of the following measures:

- Reorient or relocate the receiving antenna.
- Increase the separation between the equipment and receiver.
- Connect the equipment into an outlet on a circuit different from that to which the receiver is connected.
- Consult the dealer or an experienced radio/TV technician for help.

You are cautioned that any changes or modifications not expressly approved in this manual could void your authority to operate this equipment.

For the customers in Canada

This Class B digital apparatus complies with Canadian ICES-003.

For the customers in the United Kingdom

WARNING

THIS APPARATUS MUST BE EARTHED

IMPORTANT

The wires in this mains lead are coloured in accordance with the following code:

Green-and-Yellow: Earth

Blue: Neutral

Brown: Live

As the colours of the wires in the mains lead of this apparatus may not correspond with the coloured markings identifying the terminals in your plug proceed as follows:

The wire which is coloured green-and-yellow must be connected to the terminal in the plug which is marked by the letter E or by the safety earth symbol I or coloured green or green-and-yellow.

The wire which is coloured blue must be connected to the terminal which is marked with the letter N or coloured black. The wire which is coloured brown must be connected to the terminal which is marked with the letter L or coloured red.

Voor de klanten in Nederland



Bij dit product zijn batterijen geleverd. Wanneer deze leeg zijn, moet u ze niet weggooien maar inleveren als KCA.

The socket-outlet should be installed near the equipment and be easily accessible.

Table of Contents

Overview

Precautions	6
Features	7
Location and Function of Controls ...	8
Front/Left Side/Bottom	8
Rear/Right Side	8
Control Panel	10
Connector Panel	11
Remote Commander	12

Setting Up and Projecting

Installing the Projector	14
Connecting the Projector	15
Connecting with a Computer	15
Connecting with a VCR or 15k RGB/Component Equipment	17
Selecting the Menu Language	19
Projecting	21

Adjustments and Settings Using the Menu

Using the MENU	24
The PICTURE CTRL Menu	25
The INPUT SETTING Menu	26
The SET SETTING Menu	27

Maintenance

Maintenance	29
Replacing the Lamp	29
Cleaning the Air Filter	30

Troubleshooting	31
Warning Messages	33
Caution Messages	33

Other

Notes on Installation	34
Unsuitable Installation	34
Unsuitable Conditions	34
Specifications	35
Index	41

Precautions

On safety

- Check that the operating voltage of your unit is identical with the voltage of your local power supply.
- Should any liquid or solid object fall into the cabinet, unplug the unit and have it checked by qualified personnel before operating it further.
- Unplug the unit from the wall outlet if it is not to be used for several days.
- To disconnect the cord, pull it out by the plug. Never pull the cord itself.
- The wall outlet should be near the unit and easily accessible.
- The unit is not disconnected to the AC power source (mains) as long as it is connected to the wall outlet, even if the unit itself has been turned off.
- Do not look into the lens while the lamp is on.
- Do not place your hand or objects near the ventilation holes. The air coming out is hot.
- Be careful not to catch your fingers by the adjuster when you lift up the projector. Do not push hard on the top of the projector with the adjuster out.

On illumination

- To obtain the best picture, the front of the screen should not be exposed to direct lighting or sunlight.
- Ceiling-mounted spot lighting is recommended. Use a cover over fluorescent lamps to avoid lowering the contrast ratio.
- Cover any windows that face the screen with opaque draperies.
- It is desirable to install the projector in a room where floor and walls are not of light-reflecting material. If the floor and walls are of reflecting material, it is recommended that the carpet and wall paper be changed to a dark color.

On preventing internal heat build-up

After you turn off the power with the I / ⏻ key, do not disconnect the unit from the wall outlet while the cooling fan is still running.

Caution

The projector is equipped with ventilation holes (intake) on the bottom side and ventilation holes (exhaust) on left and rear. Do not block or place anything near these holes, or internal heat build-up may occur, causing picture degradation or damage to the projector.

On cleaning

- To keep the cabinet looking new, periodically clean it with a soft cloth. Stubborn stains may be removed with a cloth lightly dampened with a mild detergent solution. Never use strong solvents, such as thinner, benzene, or abrasive cleansers, since these will damage the cabinet.
- Avoid touching the lens. To remove dust on the lens, use a soft dry cloth. Do not use a damp cloth, detergent solution, or thinner.
- Clean the filter at regular intervals.

On repacking

- Save the original shipping carton and packing material; they will come in handy if you ever have to ship your unit. For maximum protection, repack your unit as it was originally packed at the factory.

Features

High portability

- **Light weight/small size**

This projector has been miniaturized to approx. 2.9 kg (6 lb 6 oz) in weight and B5-file size through the adoption of a new retractable mechanism. A carrying handle and a removable strap are equipped with the projector, so you can carry it easily with your computer.

Reduced noise

Because the projector uses a new cooling mechanism, noise has been reduced.

High brightness, high picture quality

- **High brightness**

Adopting the new developed optical system and the 120 W UHP lamp allows high brightness (light output 600 ANSI lumen) and excellent uniformity on the picture.

- **High resolution**

Three 0.7-inch, about 480,000 pixel SVGA panels provide a resolution of 800 × 600 dots for RGB input and 600 horizontal TV lines for video input.

Simple setup, easy presentation

- **Simple setup with external equipment**

This projector is preset for 37 kinds of input signals. You can project images from an external signal source just by connecting the equipment with the supplied cable and pushing the APA key.

- **Simple Remote Commander with mouse control functions**

You can operate a computer with the Remote Commander since the unit has a build-in mouse receiver.

Compatible with USB (Universal Serial Bus) hub function

You can connect the projector to USB equipment, such as a USB mouse, and

control the projector by using the supplied application software from a computer.¹⁾

Using this application software, you can open a file you want to use for your presentation with the supplied Remote Commander.

Accepts various input signals

- **Scan converter loaded**

This projector has a build-in scan converter that converts the input signal within 800 × 600 dots.

- **Compatible input signals**

This projector accepts video signals of composite, S video, and component as well as 15k RGB, VGA, SVGA, XGA, and SXGA signals, which all can be displayed.

- **Compatible with six color systems**

NTSC, PAL, SECAM, NTSC_{4.43}²⁾, PAL-M, or PAL-N color system can be selected automatically or manually.

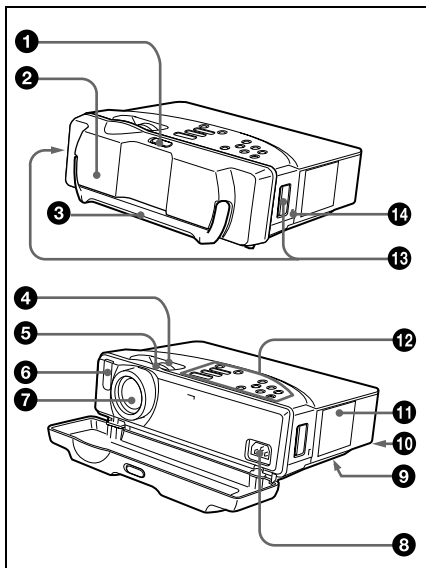
-
- Windows is a registered trademark of Microsoft Corporation in the United States and/or other countries.
 - VGA, SVGA, XGA, and SXGA are registered trademarks of the International Business Machines Corporation, U.S.A.
 - Macintosh is a registered trademark of Apple Computer, Inc.
 - IBM PC/AT is a registered trademark of International Business Machines Corporation, U.S.A.
 - VESA is a registered trademark of Video Electronics Standard Association.
 - Display Data Channel is a trademark of Video Electronics Standard Association.
 - PC-98 is a trademark of NEC Corporation.

1)The supplied application software and the USB hub function of this projector are compatible with Windows 98 preinstall model.

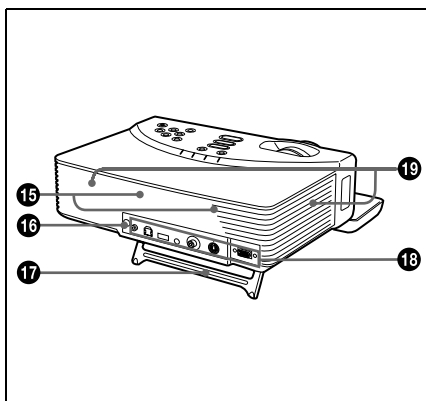
2)NTSC_{4.43} is the color system used when playing back a video recorded on NTSC on a NTSC_{4.43} system VCR.

Location and Function of Controls

Front/Left Side/Bottom



Rear/Right Side



1 Lock button

2 Front cover

Slide the lock button to open the front cover. The leg on the bottom of the projector opens. When projecting the picture, place the projector on a flat surface with the leg open.

3 Carrying handle

Pull up the handle from the projector for carrying.

4 Zoom ring

Adjusts the picture size.

5 Focus ring

Adjusts the picture focus.

6 Front remote control detector (SIRCS receiver)

7 Lens

8 AC IN socket

Connects the supplied AC power cord.

9 Ventilation holes (intake)/air filter cover (bottom)

Notes

- Do not place anything near the ventilation holes as it may cause internal heat build-up.
- Do not place your hand or objects near the ventilation holes as it may cause the air coming out heat build-up.
- To maintain optimal performance, **clean the air filter every 300 hours.**

10 Lamp cover (bottom)

11 Ventilation holes (exhaust)

12 Control panel

For details, see "Control Panel" on page 10.

13 Shoulder strap holder

14 Security lock

Connects to an optional security cable (Kensington's).

The security lock corresponds to Kensington's MicroSaver Security System.

If you have any comment, contact:

Kensington
2853 Campus Drive
San Mateo, CA 94403
U.S.A.
Tel: 800-535-4242: extension
3348

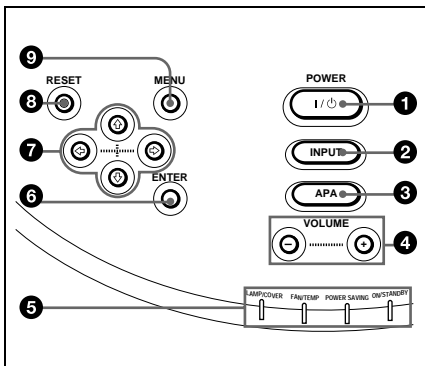
Home page address:
<http://www.kensington.com/>

15 Speaker**16 Rear remote control detector (SIRCS receiver)****17 Leg****18 Connector panel**

For details, see "Connector Panel" on page 11.

19 Ventilation holes (intake)

Control Panel



1 I / ⏻ (on/standby) key

Turns on and off the projector when the projector is in standby mode. The ON/STANDBY indicator lights in green when the power is turned on.

When turning off the power, press the I / ⏻ key twice following the message on the screen, or press and hold the key for about one second.

For details on steps for turning off the power, see “To turn off the power” on page 23.

2 INPUT key

Selects the input signal. Each time you press the key, the input signal switches between video input and INPUT A connector.

3 APA (Auto Pixel Alignment) key

Adjusts a picture clearest automatically while a signal is input from a computer.

4 VOLUME +/- keys

Adjust the volume of the built-in speakers.

+ : Increases the volume.

- : Decreases the volume.

5 Indicators

• **LAMP/COVER:** Lights up or flashes under the following conditions:

- Lights up when the lamp has reached the end of its life or becomes a high temperature.
- Flashes when the lamp cover or air filter cover is not secured firmly.

• **FAN/TEMP (Temperature):** Lights up or flashes under the following conditions:

- Lights up when temperature inside the projector becomes unusually high.
- Flashes when the fan is broken.

• **POWER SAVING:** Lights up when the projector is in power saving mode. When POWER SAVING in the SET SETTING menu is set to ON, the projector goes into power saving mode if no signal is input for 10 minutes.

Although the lamp goes out, the cooling fan keeps running. In power saving mode, any key does not function for the first 30 seconds. The power saving mode is canceled when a signal is input or any key is pressed.

• **ON/STANDBY:** Lights up or flashes under the following conditions:

- Lights in red when a AC power cord is plugged into a wall outlet. Once in standby mode, you can turn on the projector with the I / ⏻ key.
- Lights in green when the power is turned on.
- Flashes in green while the cooling fan runs after the power is turned off with the I / ⏻ key. The fan runs for about 90 seconds after the power is turned off.

The ON/STANDBY indicator flashes quickly for the first 30 seconds. During this time, you cannot turn the power back on with the I / ⏻ key.

For details on the LAMP/COVER and the FAN/TEMP indicators, see page 32.

6 ENTER key

Enters the settings of items in the menu system.

7 Arrow keys (↑/↓/←/→)

Select the menu or to make various adjustments.

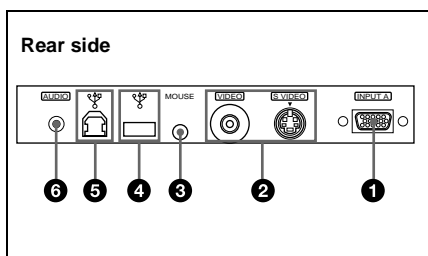
8 RESET key

Resets the value of an item back to its factory preset value. This key functions when the menu or a setting item is displayed on the screen.

9 MENU key

Displays the on-screen menu. Press again to clear the menu.

Connector Panel

**1 INPUT A connector (HD D-sub 15-pin, female)**

Connect to external equipment such as a computer.

Connects to the monitor output on a computer using the supplied cable. When inputting a component or 15k RGB signal, use an optional cable.

2 Video input connector

Connect to external video equipment such as a VCR.

- **S VIDEO (mini DIN 4-pin):**

Connects to the S video output (Y/C video output) of video equipment.

- **VIDEO (phono type):** Connects to the composite video output of video equipment.

Note

If you connect video equipment to both the S VIDEO and VIDEO jacks, the signal from the S VIDEO jack is selected. When projecting the picture via the VIDEO jack, be sure not to connect a cable to the S VIDEO jack.

3 MOUSE connector (6-pin)

Connects to the PS/2 mouse port on a computer via the supplied mouse cable, to control the mouse function of the connected computer.

4 USB connector (USB A-plug for downstream, 4-pin)

Connect to USB equipment such as a mouse, camera, etc.

5 USB connector (USB B-plug for upstream, 4-pin)

Connect to the USB connector on a computer. When you connect the projector to the computer, the projector recognizes the mouse of the computer connected to the INPUT A connector and you can control the mouse function with the supplied Remote Commander. The supplied application software can be installed in the computer attached to this connector.

6 AUDIO (stereo minijack) connector

When listening to sound output from the computer, connect to the audio output of the computer.

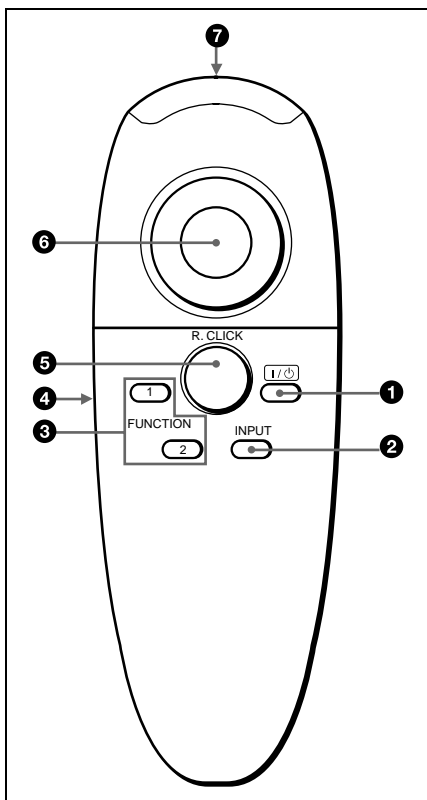
When listening to sound output from the VCR, connect to the audio output of the VCR.


This connector functions as the audio input of the INPUT A, VIDEO and S VIDEO connectors.

Remote Commander

The keys that have the same names as those on the control panel function identically. You can control a connected computer using the Remote Commander.

For details, see “To control the computer using the supplied Remote Commander” on page 22.



1 I /  key

2 INPUT key

3 FUNCTION 1, 2 keys

When you have saved a file in the FUNCTION 1 or 2 key using the supplied application software, you can open the file with a press of the corresponding key.

For details, see the README file and the HELP file supplied with the application software.

4 L CLICK key

Functions as the left button on a mouse.

5 R CLICK key

Functions as the right button on a mouse.

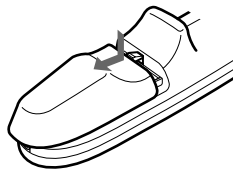
6 Joystick


Functions as the mouse of the computer connected to the unit.

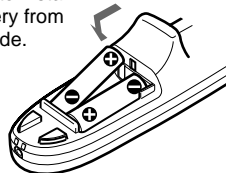
7 Infrared transmitter

To install batteries

1 Push and slide to open the lid, then install the two size AAA (R03) batteries (supplied) with the correct polarity.



Be sure to install the battery from the  side.



2 Replace the lid.

Notes on batteries

- Make sure that the battery orientation is correct when inserting batteries.
- Do not mix an old battery with a new one or different types of batteries.
- If you do not use the Remote Commander for a long time, remove the batteries to avoid damage from battery leakage. If batteries have leaked, remove them, wipe and dry the battery compartment, and replace the batteries with new ones.

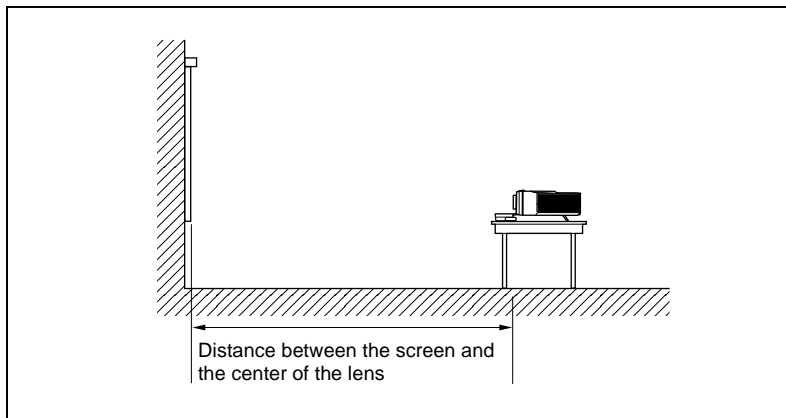
Notes on Remote Commander operation

- Make sure that nothing obstructs the infrared beam between the Remote Commander and the remote control detector on the projector. Direct the Remote Commander toward the front or rear remote control detector.
- The operation range is limited. The shorter the distance between the Remote Commander and the projector is, the wider the angle within which the commander can control the projector becomes.

Installing the Projector

This section describes how to install the projector.

The distance between the lens and the screen varies depending on the size of the screen. Use the following table as a guide.



Unit: m (feet)

Screen size (inches)	40	60	80	100	120	150
Minimum Distance	1.6 (5.2)	2.4 (7.8)	3.2 (10.5)	4.0 (13.2)	4.9 (15.9)	6.1 (20.0)
Maximum Distance	2.0 (6.6)	3.1 (10.0)	4.1 (13.5)	5.2 (16.9)	6.2 (20.3)	7.8 (25.5)

Note

You can not install the projector upside down, such as on a ceiling.

Connecting the Projector

When making connections, be sure to do the following:

- Turn off all equipment before making any connections.
- Use the proper cables for each connection.
- Insert the cable plugs properly; plugs that are not fully inserted often generate noise. When pulling out a cable, be sure to pull it out from the plug, not the cable itself.

Note

Supplied mouse cables may not work properly according to your computer.

Connecting with a Computer

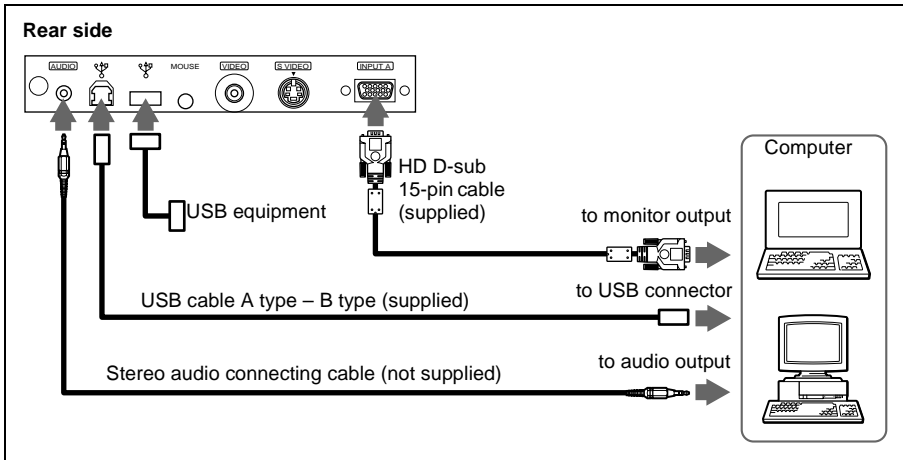
This section describes how to connect the projector to a computer. For more information, refer to the computer's instruction manual.

Notes

- The projector accepts VGA, SVGA, XGA, and SXGA signals. However, we recommend that you set the output mode of your computer to SVGA mode for the external monitor.
- If you set your computer, such as a notebook type, to output the signal to both your computer's display and the external monitor, the picture of the external monitor may not appear properly. Set your computer to output the signal to only the external monitor.
For details, refer to the computer's operating instructions supplied with your computer.
- Supplied mouse cables may not work properly according to your computer.
- This projector is compatible with a DDC2B (Digital Data Channel 2B). If your computer is compatible with a DDC, turn the projector on according to the following procedures.
 - 1 Connect the projector to the computer by using the supplied HD D-sub 15 pin cable.
 - 2 Turn the projector on.
 - 3 Start the computer.

To connect an IBM PC/AT compatible computer

When you use a USB mouse and USB equipment



Notes

- When you use the supplied application software, connect your computer as illustrated above. This application software and the USB hub function can be used on a computer loaded with Windows 98 preinstall model.
- As the projector recognizes the USB mouse when the computer is connected to the USB connector, do not connect anything to the PS/2 mouse port.
- Your computer may not start correctly when it has been connected to the USB connector on the projector via the USB cable. In this case, first disconnect the USB cable, restart the computer, then connect the computer to the projector using the USB cable supplied with the projector.

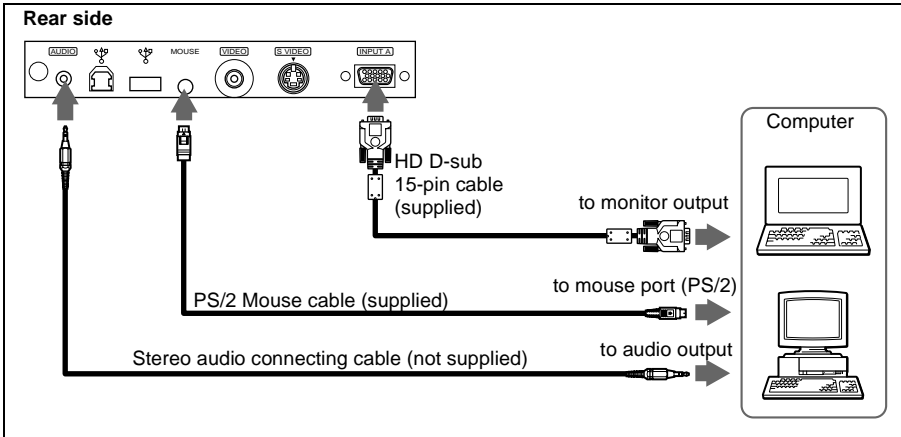
On the USB hub function

When connecting the projector to a computer by using the USB cable for the first time, the computer recognizes the following devices automatically.

- 1 USB hub (general use)
- 2 USB human interface device (wireless mouse function)
- 3 USB human interface device (projector control function)

Excepting these devices above mentioned, the computer recognizes the device connected to the downstream connector on the projector.

When you use a PS/2 mouse port



To connect a Macintosh computer

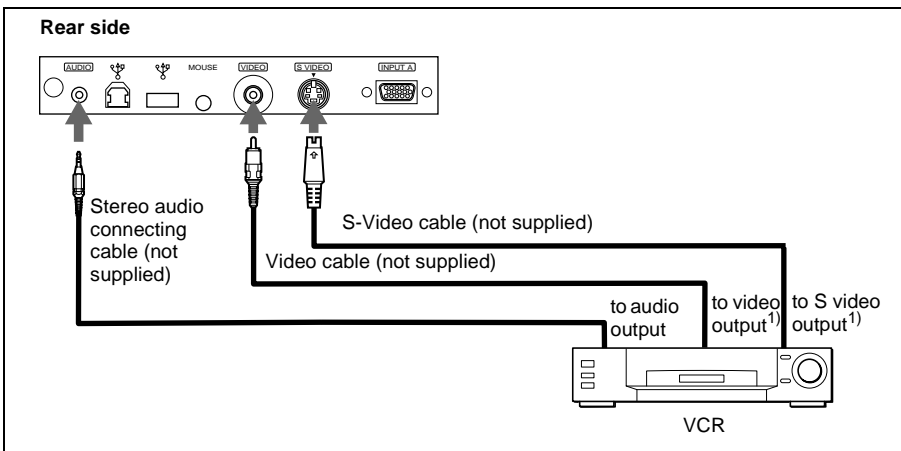
Use an ADP-20 signal adapter (not supplied). In this case, however, you can not control the mouse of the computer by the Remote Commander.

Connecting with a VCR or 15k RGB/Component Equipment

This section describes how to connect the projector to a VCR and 15k RGB/component equipment.

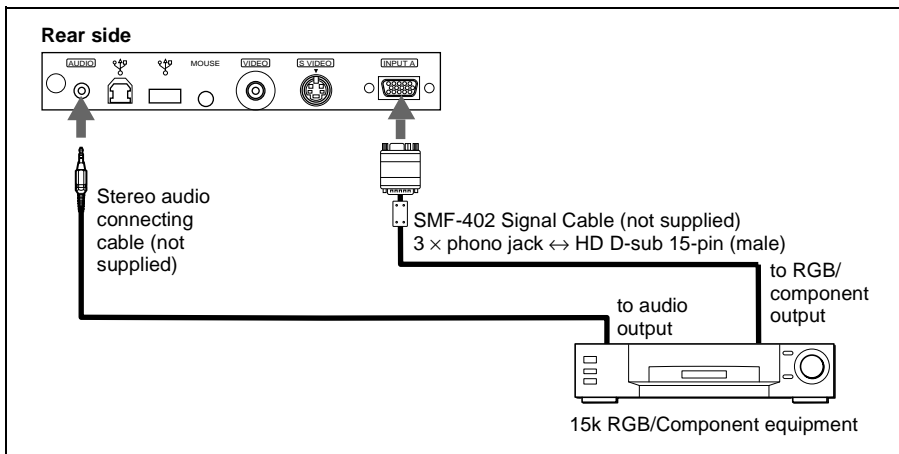
For more information, refer to the instruction manuals of the equipment you are connecting.

To connect a VCR



1) When both the S VIDEO and VIDEO jacks are connected to the external equipment, the input signal from the S VIDEO jack is selected.

To connect a 15k RGB/Component equipment

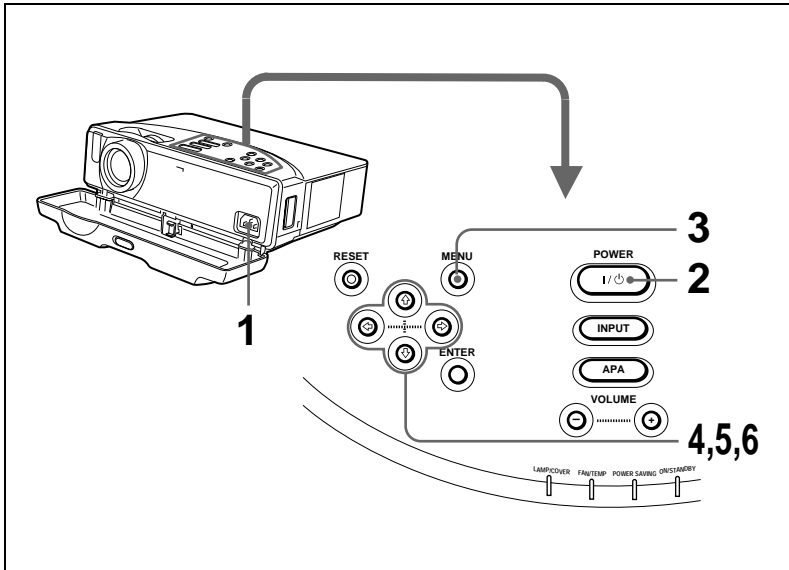


Notes

- Set the aspect ratio using **ASPECT** in the **INPUT SETTING** menu according to the input signal.
- When you connect the unit to 15k RGB/component video equipment, select **RGB** or **component** with the **INPUT-A** setting in the **SET SETTING** menu.
- Use the composite sync signal when you input the external sync signal from 15k RGB/component equipment.

Selecting the Menu Language

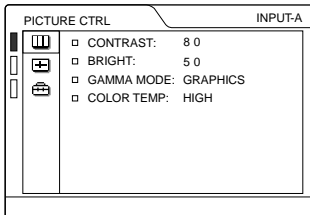
You can select one of seven languages for displaying the menu and other on-screen displays. The factory setting is English.



- 1 Open the front cover, then plug the AC power cord into a wall outlet.
- 2 Press the I / ⏻ key to turn on the projector.
- 3 Press the MENU key.

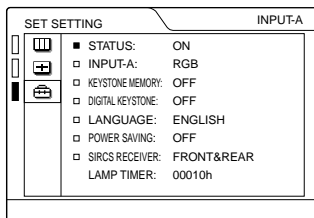
The menu appears.

The menu presently selected is shown as a yellow button.

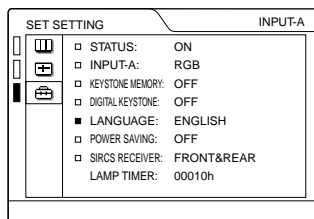


- 4 Press the **↑** or **↓** key to select the SET SETTING menu, then press the **→** or **ENTER** key.

The selected menu appears.



- 5 Press the **↑** or **↓** key to select "LANGUAGE," then press the **→** or **ENTER** key.



- 6 Press the **↑** or **↓** key to select a language, then press the **←** or **ENTER** key.

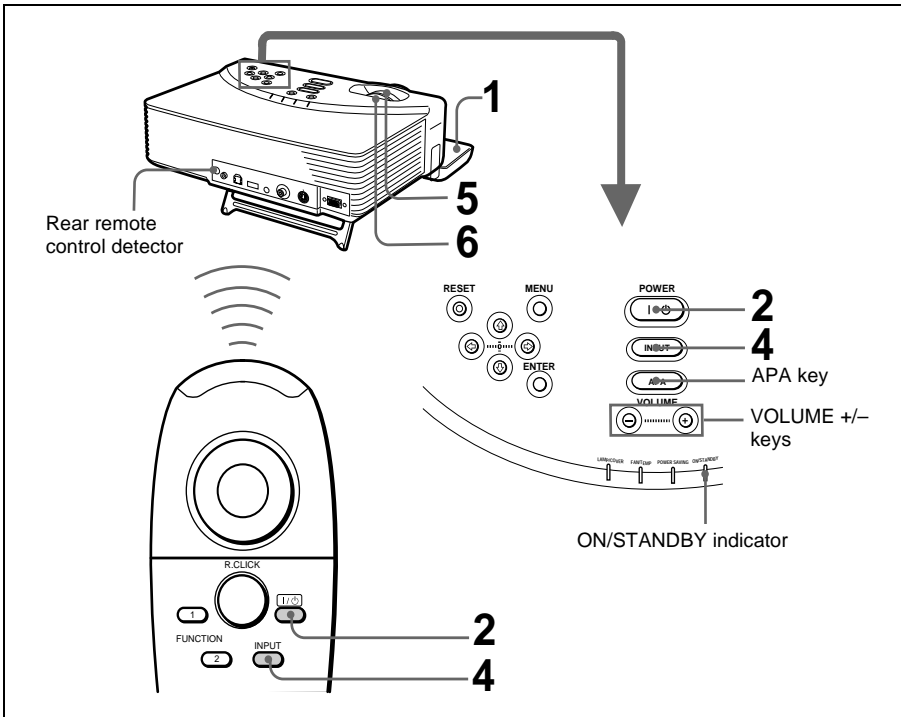
The menu changes to the selected language.

To clear the menu

Press the **MENU** key.

The menu disappears automatically if a key is not pressed for one minute.

Projecting



- 1** Open the front cover, plug the AC power cord into a wall outlet, then connect all equipment.
The ON/STANDBY indicator lights in red and the projector goes into standby mode.
- 2** Press the I / ⏻ key.
The ON/STANDBY indicator lights in green.
- 3** Turn on the equipment connected to the projector.
- 4** Press the INPUT key to select the input source.

To input from	Press INPUT to display
Computer connected to the INPUT A connector	INPUT A
Video equipment connected to the video ¹⁾ input connector	VIDEO

1) If you connect to both the S VIDEO and VIDEO jacks, the signal from the S VIDEO jack is selected.

5 Turn the zoom ring to adjust the size of the picture.

6 Turn the focus ring to adjust the focus.

Caution

Looking into the lens when projecting may cause injury to your eyes.

To adjust the volume

Press VOLUME +/- keys on the control panel.

To control the computer using the supplied Remote Commander

When you connect an IBM PC/AT compatible to the projector, you can control the mouse of the computer using the Remote Commander.

The R/L CLICK keys and joystick function as follows.

Key and joystick	Function
R CLICK (front)	Right button
L CLICK (rear)	Left button
Joystick	Corresponds with the movements of the mouse

Note

Make sure that nothing obstructs the infrared beam between the Remote Commander and the remoter control detector on the projector.

To get the clearest picture

You can adjust picture quality when projecting a signal from the computer.

1 Project a still picture from the computer.

2 Press the APA key.

“Complete!” appears on the screen when the picture is adjusted properly.

Notes

- Press the APA key when the full image is displayed on the screen. If there are black edges around the image, the APA function will not function properly and the image may extend beyond the screen.
- When you switch the input signal or re-connect a computer, press the APA key again to adjust the picture again.
- You can cancel the adjustment by pressing the APA key again while “ADJUSTING” appears on the screen.
- The picture may not be adjusted properly depending on the kinds of input signals.
- Adjust the items in the INPUT SETTING menu when you adjust the picture manually.

To turn off the power

- 1 Press the I / ⏻ key.
“POWER OFF? Please press I / ⏻ key again.” appears to confirm that you want to turn off the power.

Note

A message disappears if you press any key except the I / ⏻ key, or if you do not press any key for five seconds.

- 2 Press the I / ⏻ key again.
The ON/STANDBY indicator flashes in green and the fan continues to run for about 90 seconds to reduce the internal heat. Also, the ON/STANDBY indicator flashes quickly for the first 30 seconds. During this time, you will not be able to turn the power back on with the I / ⏻ key.
- 3 Unplug the AC power cord from the wall outlet after the fan stops running and the ON/STANDBY indicator lights in red.

When you cannot confirm the on-screen message

When you cannot confirm the on-screen message in a certain condition, you can turn off the power by holding the I / ⏻ key for about one second.

Note

Do not unplug the AC power cord while the fan is still running; otherwise, the fan will stop even though the internal heat is still high, which could result in a breakdown of the projector.

To stow the leg on the bottom

If you are not going to use the projector, close the front cover first and then fold up the leg on the bottom of the projector manually at the end.

On air filter

To maintain optimal performance, **clean the air filter every 300 hours.**

Using the MENU

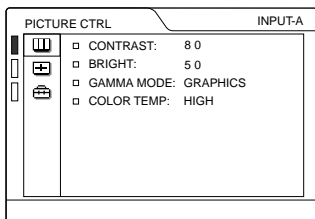
The projector is equipped with an on-screen menu for making various adjustments and settings. You can perform all of the menu operation with the control panel on this unit. Also, you can change the menu language displayed in the on-screen menu.

To change the menu language, see “Selecting the Menu Language” on page 19.

1 Press the MENU key.

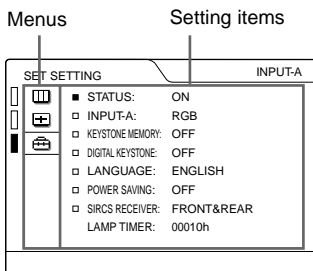
The menu appears.

The menu presently selected is shown as a yellow button.



2 Use the ↑ or ↓ key to select a menu, then press the → or ENTER key.

The selected menu appears.



3 Select an item.

Use the ↑ or ↓ key to select the item, then press the → or ENTER key.

4 Make the setting or adjustment on an item.

- When changing the adjustment level:
To increase the number, press the ↑ or → key.
To decrease the number, press the ↓ or ← key.
Press the ENTER key to restore the original screen.
- When changing the setting:
Press the ↑ or ↓ key to change the setting.
Press the ENTER or ← key to restore the original screen.

To clear the menu

Press the MENU key.

The menu disappears automatically if a key is not pressed for one minute.

To reset items that have been adjusted

Press the RESET key.

“Complete!” appears on the screen and the settings appearing on the screen are reset to their factory preset values.

Items that can be reset are:

- “CONTRAST,” “BRIGHT,” “COLOR,” “HUE,” and “SHARP” in the PICTURE CTRL menu
- “DOT PHASE,” “SIZE,” and “SHIFT” in the INPUT SETTING menu.
- “DIGITAL KEYSTONE” in the SET SETTING menu.

About the memory of the settings

The settings are automatically stored in the projector memory.

If no signal is input

If there is no input signal, “NO INPUT— Cannot adjust this item.” appears on the screen.

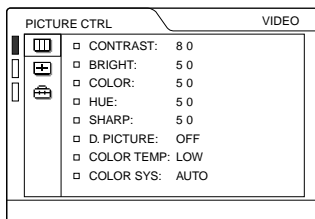
The PICTURE CTRL Menu

The PICTURE CTRL (control) menu is used for adjusting the picture.

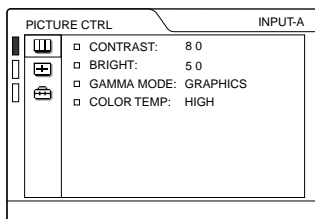
Items that cannot be adjusted depending on the input signal are not displayed in the menu.

For details on the unadjustable items, see page 38.

When the video signal is input



When the RGB signal is input



Menu Items

CONTRAST

Adjusts the picture contrast. The higher the setting, the greater the contrast. The lower the setting, the lower the contrast.

BRIGHT

Adjusts the picture brightness. The higher the setting, the brighter the picture. The lower the setting, the darker the picture.

COLOR

Adjusts color intensity. The higher the setting, the greater the intensity. The lower the setting, the lower the intensity.

HUE

Adjusts color tones. The higher the setting, the picture becomes greenish. The lower the setting, the picture becomes purplish.

SHARP

Adjusts the picture sharpness. The higher the setting, the sharper the picture. The lower the setting, the softer the picture.

D. (Dynamic) PICTURE

Emphasizes the black color.

ON: Emphasizes the black color to produce a bolder “dynamic” picture.

OFF: Reproduces the dark portions of the picture accurately, in accordance with the source signal.

GAMMA MODE

Selects a gamma correction curve.

GRAPHICS: Improves the reproduction of halftones. Photos can be reproduced in natural tones.

TEXT: Contrasts black and white. Suitable for images that contain lots of text.

COLOR TEMP

Adjusts the color temperature.

HIGH: Makes the white color bluish.

LOW: Makes the white color reddish.

COLOR SYS (System)

Selects the color system of the input signal.

- **AUTO:** NTSC_{3.58}, PAL, SECAM and NTSC_{4.43} (switched automatically)
- **PAL-M/N:** PAL-M/PAL-N and NTSC_{3.58} (switched automatically)

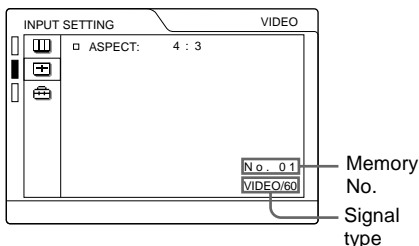
Normally, set to AUTO. If the picture is distorted or colorless, select the color system according to the input signal.

The INPUT SETTING Menu

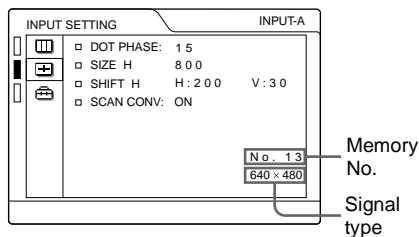
The INPUT SETTING menu is used to adjust the input signal. Items that cannot be adjusted depending on the input signal are not displayed in the menu.

For details on the unadjustable items, see page 38.

When the video signal is input



When the RGB signal is input



MENU Items

DOT PHASE

Adjusts the dot phase of the LCD panel and the signal input from the INPUT A connector.

Adjust the picture further for finer picture after the picture is adjusted by pressing the APA key.

Adjust the picture to where it looks clearest.

SIZE

Adjusts the horizontal size of picture input from the INPUT A connector. The higher the setting, the larger the horizontal size of the picture. The lower the setting, the smaller the horizontal size of the picture. Adjust the setting according to the dots of the input signal.

For details on the suitable value for the preset signals, see page 39.

SHIFT

Adjusts the position of the picture input from the INPUT A connector. H adjusts the horizontal position of the picture. V adjusts the vertical position of the picture. As the setting for H increases, the picture moves to the right, and as the setting decreases, the picture moves to the left.

As the setting for V increases, the picture moves up, and as the setting decreases, the picture moves down. Use the ← or the → key to adjust the horizontal position and the ↑ and ↓ key for the vertical position.

SCAN CONV (Scan converter)

Converts the signal to display the picture according to the screen size.

ON: Displays the picture according to the screen size. The picture will lose some clarity.

OFF: Displays the picture while matching one pixel of input picture element to that of the LCD. The picture will be clear but the picture size will be smaller.

Note

When SVGA, XGA or SXGA signal is input, this item will not be displayed.

ASPECT

Sets the aspect ratio of the picture. When inputting 16:9 (squeezed) signal from equipment such as a DVD player, set to 16:9.

4:3: When the picture with ratio 4:3 is input.

16:9: When the picture with ratio 16:9 (squeezed) is input.

About the Preset Memory No.

This projector has 37 types of preset data for input signals for INPUT-A (the preset memory). When a preset signal is input, the projector automatically detects the signal type and recalls the data for the signal from the preset memory to adjust it to an optimum picture. The memory number and signal type of that signal are displayed in the INPUT SETTING menu. You can also adjust the preset data through the INPUT SETTING menu.

This projector has 20 types of user memories for INPUT-A into which you can save the setting of the adjusted data for an unpreset input signal.

When an unpreset signal is input for the first time, a memory number is displayed as 00. When you adjust the data of the signal in the INPUT SETTING menu, it will be registered to the projector. If more than 20 user memories are registered, the newest memory always overwrites the oldest one.

See the chat on page 39 to find if the signal is registered to the preset memory.

Since the data is recalled from the preset memory about the following signals, you can use these preset data by adjusting SIZE. Make fine adjustment by adjusting SHIFT.

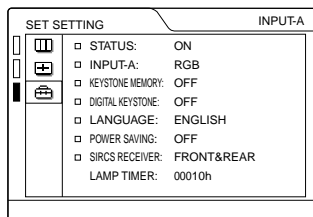
Signal	Memory No.	SIZE
Super Mac-2	23	1312
SGI-1	23	1320
Macintosh 19"	25	1328
Macintosh 21"	28	1456
Sony News	36	1708
PC-9821 1280 × 1024	36	1600
WS Sunmicro	37	1664

Note

When the aspect ratio of input signal is other than 4:3, a part of the screen is displayed in black.

The SET SETTING Menu

The SET SETTING menu is used for changing the settings of the projector.



Menu Items

STATUS (on-screen display)

Sets up the on-screen display.

ON: Shows all of the on-screen displays.

OFF: Turns off the on-screen displays except for the menus, a message when turning off the power, and warning messages.

INPUT-A

Selects the RGB or component signal input from the INPUT A connector.

Note


If the setting is not correct, "Please check INPUT-A setting." appears on the screen and the color of the picture becomes strange or the picture is not displayed.

KEYSTONE MEMORY

Memorizes the data adjusted with DIGITAL KEYSTONE.

DIGITAL KEYSTONE

Adjusts trapezoidal distortion of the picture that may occur depending on the projection angle.

When the upside of the trapezoid is longer than the downside  : Sets to a plus value.

LANGUAGE

Selects the language used in the menu and on-screen displays. Available languages are: English, French, German, Italian, Spanish, Japanese and Chinese.

POWER SAVING

When set to ON, the projector goes into power saving mode if no signal is input for 10 minutes.

SIRCS RECEIVER

Selects the remote control detectors (SIRCS receiver) on the front and rear of the projector.

FRONT & REAR: Activates both the front and rear detectors.

FRONT: Activates the front detector only.

REAR: Activates the rear detector only.

LAMP TIMER

Indicates the total number of hours for which the lamp currently used has been operated.

Maintenance

Replacing the Lamp

When it is time to replace the lamp, replace the lamp promptly with a new LMP-C120 Projector Lamp.

When replacing the lamp after using the projector

Turn off the projector, then unplug the power cord.
Wait for at least an hour for the lamp to cool.

Caution

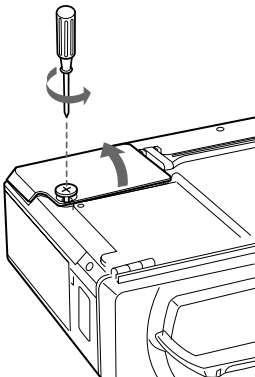
The lamp becomes a high temperature after turning off the projector with the I / ⏻ key. If you touch the lamp, you may scald your finger. When you replace the lamp, wait for at least an hour for the lamp to cool.

- 1 Place a protective sheet (cloth) beneath the projector. Turn the projector over so you can see its underside.

Note

Be sure that the projector is stable after turning it over.

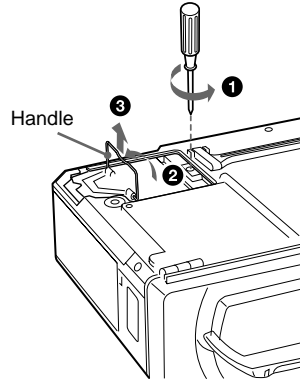
- 2 Open the lamp cover by loosening a screw with the Phillips screwdriver (supplied with the LMP-C120 Projector Lamp).



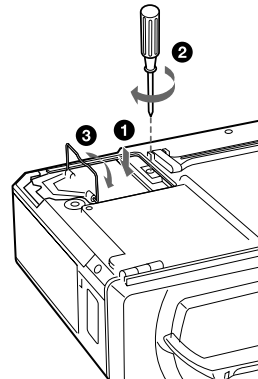
Note

For safety sake, do not loosen any other screws.

- 3 Loosen the screw on the lamp unit with the Phillips screwdriver. Pull out the lamp unit by the handle.



- 4 Insert the new lamp all the way in until it is securely in place. Tighten the screw. Fold up the handle.



Notes

- Be careful not to touch the glass surface of the lamp.
- The power will not turn on if the lamp is not secured properly.

- 5 Close the lamp cover and tighten the screws.

- 6 Turn the projector back over.
- 7 Connect the power cord and turn the projector to standby mode.
- 8 Press the following keys on the control panel in the following order for less than five seconds each: RESET, ←, →, ENTER.

Notes

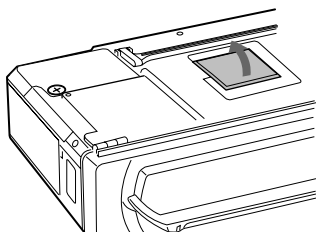
- Be sure to use the LMP-C120 Projector Lamp for replacement. If you use lamps other than LMP-C120, the projector may cause a malfunction.
- Be sure to turn off the projector and unplug the power cord before replacing the lamp.
- Do not put your hands into the lamp replacement spot, or not fall any liquid or object into it to avoid electrical shock or fire.

Cleaning the Air Filter

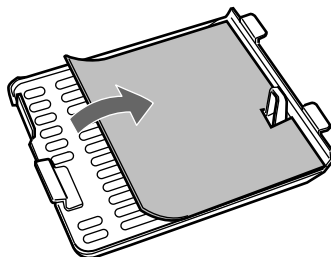
The air filter should be cleaned every 300 hours. When it becomes difficult to remove the dust from the filter, replace the filter with a new one.

To clean the air filter, follow the steps below:

- 1 Turn off the power and unplug the power cord.
- 2 Turn the projector over.



- 3 Remove the air filter cover.



- 4 Remove the dust from the filter with a vacuum cleaner.
- 5 Attach the air filter and replace the cover.

Notes

- If the air filter is excessively dirty, wash it with mild detergent solution and dry it in a shaded place. If the dust cannot be removed, replace the air filter with the supplied new one.
- Be sure to attach the air filter cover firmly; the power will not be turned on if it is not closed securely.
- The air filter has a face and a reverse side. Place the air filter so that it fits in a notch on the air filter cover.

Troubleshooting

If the projector appears to be operating erratically, try to diagnose and correct the problem using the following instructions. If the problem persists, consult with qualified Sony personnel.

Power

Symptom	Cause and Remedy
The power is not turned on.	<ul style="list-style-type: none"> • The power has been turned off and on with the I / ⏻ key at a short interval. → Wait for about 90 seconds before turning on the power (see page 23). • The lamp cover is detached. → Close the lamp cover securely (see page 29). • The air filter cover is detached. → Close the air filter cover securely (see page 30).
Both the LAMP/COVER and FAN/TEMP indicators light up.	<ul style="list-style-type: none"> • The electrical system breaks down. → Consult with qualified Sony personnel.

Picture

Symptom	Cause and Remedy
No picture.	<ul style="list-style-type: none"> • Cable is disconnected or the connections are wrong. → Check that the proper connections have been made (see page 15). • Input selection is incorrect. → Select the input source correctly using the INPUT key (see page 21). • The computer signal is not set to output to an external monitor. → Set the computer signal to output to an external monitor (see page 15). • The computer signal is set to output to both the LCD of the computer and external monitor. → Set the computer signal to output only to the external monitor (see page 15).
The picture is noisy.	<ul style="list-style-type: none"> • Noise may appear on the background depending on the combination of the numbers of dot input from the connector and numbers of pixel on the LCD panel. → Change the desktop pattern on the connected computer.
The picture from INPUT A connector is colored strange.	<ul style="list-style-type: none"> • Setting for INPUT-A in the SET SETTING menu is incorrect. → Select RGB or COMPONENT for INPUT-A in the SET SETTING menu according to the input signal (see page 27).
“Please check INPUT-A setting.” appears in spite of inputting the correct signal from INPUT A.	<ul style="list-style-type: none"> • Setting for INPUT-A in the SET SETTING menu is incorrect. → Select RGB or COMPONENT for INPUT-A in the SET SETTING menu according to the input signal (see page 27).
On-screen display does not appear.	<ul style="list-style-type: none"> • STATUS in the SET SETTING menu has been set to OFF. → Set STATUS in the SET SETTING menu to ON (see page 27).

Symptom	Cause and Remedy
Color balance is incorrect.	<ul style="list-style-type: none"> • Picture has not been adjusted properly. → Adjust the picture (see page 25). • Projector is set to wrong color system. → Set COLOR SYS in the PICTURE CTRL menu to match the color system being input (see page 25).
The picture is too dark.	<ul style="list-style-type: none"> • Contrast or brightness has not been adjusted properly. → Adjust the contrast or brightness in the PICTURE CTRL menu properly (see page 25).
The picture is not clear.	<ul style="list-style-type: none"> • Picture is out of focus. → Adjust the focus (see page 22). • Condensation has occurred on the lens. → Leave the projector for about two hours with the power on.
The picture appears too small on the screen.	<ul style="list-style-type: none"> • SHIFT in the INPUT SETTING menu has not been adjusted properly. → Adjust SHIFT in the INPUT SETTING menu properly (see page 26).
The picture flickers.	<ul style="list-style-type: none"> • DOT PHASE in the INPUT SETTING menu has not been adjusted properly. → Adjust DOT PHASE in the INPUT SETTING menu properly (see page 26).

Sound

Symptom	Cause and Remedy
No sound.	<ul style="list-style-type: none"> • Cable is disconnected or the connections are wrong. → Check that the proper connections have been made (see page 15).
When sound is input through AUDIO connector, sound comes through one channel only.	<ul style="list-style-type: none"> • Monaural sound is being input through the AUDIO connector. → Input stereo sound.

Remote Commander

Symptom	Cause and Remedy
The Remote Commander does not work.	<ul style="list-style-type: none"> • The Remote Commander batteries are dead. → Replace with new batteries (see page 12). • The front/rear remote control detector is near the fluorescent lamp. → Change the setting of SIRCS RECEIVER in the SET SETTING menu (see page 28).
The joystick, R CLICK, or L CLICK key does not function.	<ul style="list-style-type: none"> • The mouse port on the computer does not recognize the mouse cable. → Restart the computer.

Others

Symptom	Cause and Remedy
The LAMP/COVER indicator flashes.	<ul style="list-style-type: none"> • The lamp cover or the air filter cover is detached. → Attach the cover securely (see page 29).

Symptom	Cause and Remedy
The LAMP/COVER indicator lights up.	<ul style="list-style-type: none"> The lamp has reached the end of its life. → Replace the lamp (see page 29). The lamp becomes a high temperature. → Wait for 90 seconds to cool down the lamp and turn on the power again (see page 29).
The FAN/TEMP indicator flashes.	<ul style="list-style-type: none"> The fan is broken. → Consult with qualified Sony personnel.
The FAN/TEMP indicator lights up.	<ul style="list-style-type: none"> The internal temperature is unusually high. → Check to see if nothing is blocking the ventilation holes.
Both the LAMP/COVER and FAN/TEMP indicators light up.	<ul style="list-style-type: none"> The electrical system breaks down. → Consult with qualified Sony personnel.

Warning Messages

Use the list below to check the meaning of the messages displayed on the screen.

Message	Meaning and Remedy
High temp.! Lamp off in 1 min.	<ul style="list-style-type: none"> Internal temperature is too high. → Turn off the power. → Check to see if nothing is blocking the ventilation holes.
Frequency is out of range!	<ul style="list-style-type: none"> This input signal cannot be projected as the frequency is out of the acceptable range of the projector. → Input a signal that is within the range of the frequency. The resolution setting of the output signal of a computer is too high. → Set the setting of output to SVGA (see page 15).
Please check INPUT-A setting.	<ul style="list-style-type: none"> You have input RGB signal from the computer when INPUT-A in the SET SETTING menu is set to COMPONENT. → Set INPUT-A correctly (see page 27).

Caution Messages

Use the list below to check the meaning of the messages displayed on the screen.

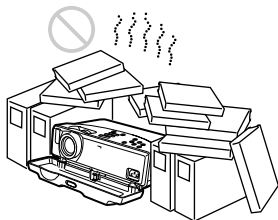
Message	Meaning and Remedy
NO INPUT	<ul style="list-style-type: none"> No input signal → Check connections (see page 15).
Not applicable!	<ul style="list-style-type: none"> You have pressed the wrong key. → Press the appropriate key.

Notes on Installation

Unsuitable Installation

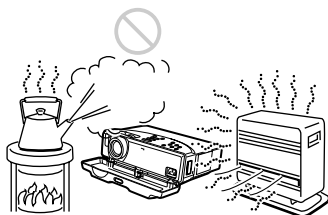
Do not install the projector in the following situations. These installations may cause malfunction or damage to the projector.

Poorly ventilated



- Allow adequate air circulation to prevent internal heat build-up. Do not place the unit on surfaces (rugs, blankets, etc.) or near materials (curtains, draperies) that may block the ventilation holes. When the internal heat builds up due to the block-up, the temperature sensor will function with the message “High temp.! Lamp off in 1 min.” The power will be turned off automatically after one minute.
- Leave space of more than 30 cm (11 7/8 inches) around the unit.
- Be careful that the ventilation holes may inhale tininess such as a piece of paper.

Highly heated and humid



- Avoid installing the unit in a location where the temperature or humidity is very high, or temperature is very low.
- To avoid moisture condensation, do not install the unit in a location where the temperature may rise rapidly.

Very dusty

Avoid installing the unit in a location where there is a lot of dust; otherwise, the air filter will be obstructed. The dust blocking the air through the filter may cause raising the internal heat of the projector. Clean it up periodically.

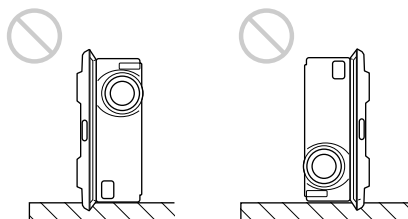


Unsuitable Conditions

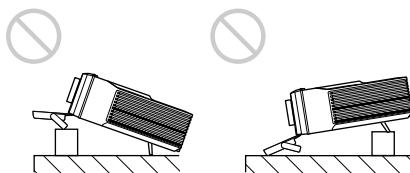
Do not use the projector under the following conditions.

Topping the unit

Avoid using as the unit topples over on its side. It may cause malfunction.

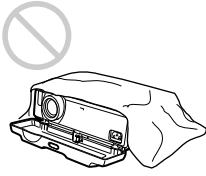


Tilting the unit



Do not install the unit other than on the floor. Avoid using as the unit tilts upward or downward. These installation may cause malfunction.

Blocking the ventilation holes



Avoid using something to cover over the ventilation holes (exhaust/intake); otherwise, the internal heat may build up.

Specifications

Optical characteristics

Projection system	3 LCD panels, 1 lens, projection system
LCD panel	0.7-inch TFT LCD panel, 1,440,000 pixels (480,000 pixels × 3)
Lens	1.3 times zoom lens f 28.7 to 37.4 mm/F 1.7 to 2.1
Lamp	120 W UHP
Projection picture size	Range: 40 to 150 inches (diagonal measure)
Light output	ANSI lumen ¹⁾ 600 lm
Throwing distance (When the SVGA signal is input)	40-inch: 1580 to 2010 mm (62 1/4 to 78 25/32 inches) 60-inch: 2390 to 3060 mm (94 1/8 to 120 1/2 inches) 80-inch: 3210 to 4100 mm (126 1/2 to 161 1/2 inches) 100-inch: 4030 to 5150 mm (158 11/16 to 202 7/8 inches) 120-inch: 4850 to 6200 mm (191 to 244 1/8 inches) 150-inch: 6080 to 7780 mm (239 1/2 to 306 3/8 inches)

1) ANSI lumen is a measuring method of American National Standard IT 7.228.

Electrical characteristics

Color system	NTSC ^{3.58} /PAL/SECAM/ NTSC ^{4.43} /PAL-M/PAL-N system, switched automatically/ manually
Resolution	600 horizontal TV lines (Video input) 800 × 600 dots (RGB input)
Acceptable computer signals	fH: 15 to 91 kHz fV: 43 to 85 Hz
Speaker	Stereo speakers system, 36 mm (1 7/16 inches) diameter, max. 0.5 W × 2

Other

Input/Output

Video input

VIDEO: phono type
Composite video: 1 Vp-p ± 2 dB
sync negative (75 ohms
terminated)

S VIDEO: Y/C mini DIN 4-pin
type (male)
Y (luminance): 1 Vp-p ± 2 dB
sync negative (75 ohms
terminated)
C (chrominance): burst
0.286 Vp-p ± 2 dB (NTSC)
(75 ohms terminated),
burst 0.3 Vp-p ± 2 dB (PAL)
(75 ohms terminated)

INPUT A: HD D-sub15-pin (female)
Analog RGB/component:
R/R-Y: 0.7 Vp-p ± 2 dB
(75 ohms terminated)
G: 0.7 Vp-p ± 2 dB
(75 ohms terminated)
G with sync/Y: 1 Vp-p ± 2 dB
sync negative
(75 ohms terminated)
B/B-Y: 0.7 Vp-p ± 2 dB
(75 ohms terminated)
SYNC/HD:
Composite sync input: 1-5 Vp-p
high impedance, positive/
negative
Horizontal sync input: 1-5 Vp-p
high impedance, positive/
negative
VD:
Vertical sync input: 1-5 Vp-p
high impedance, positive/
negative

MOUSE: 6-pin (female)
*(For details, see "Input signals
and adjustable/setting items"
on page 38.)*

AUDIO: Stereo minijack
500 mVrms, impedance more
than 47 kilohms

USB hub: Up (B type: female) $\times 1$
Down (A type: female) $\times 1$

Safety regulations:
UL1950, CSA No. 950, FCC Class
B, IC Class B
NEMKO EN60950, CE, C-Tick,
CCIB

General

Dimensions 277 \times 70 \times 214 mm (11 \times 2 $\frac{7}{8}$ \times
8 $\frac{1}{2}$ inches) (w/h/d) (with the
front cover closed, without the
projection parts)

Mass Approx. 2.9 kg (6 lb 6 oz)
(without strap)

Power requirements
AC 100 to 240 V, 1.9–0.8A,
50/60 Hz

Power consumption
Max. 190 W
(Standby mode: 4.2 W)

Heat dissipation
648.4 BTU

Operating temperature
0°C to 35°C (32°F to 95°F)

Operating humidity
35% to 85% (no condensation)

Storage temperature
–20°C to 60°C (–4°F to 140°F)

Storage humidity
10% to 90%

Supplied accessories
Remote Commander RM-PJM1
(1)
Size AAA (R03) batteries (2)
HD D-sub 15 pin (2 m) (1)
PS/2 Mouse Cable (2 m) (1)
USB cable A type – B type (1)
Application software (1)
Carrying case (1)
AC power cord (1)
Air filter (for replacement) (1)
Operating Instructions (1)
Quick Reference Card (1)

Design and specifications are subject to change
without notice.

Optional accessories

Projector Lamp LMP-C120 (for replacement)

Signal Cable SMF-402 (HD D-sub 15-pin
(male) \leftrightarrow 3 \times phono type
(male))

Monitor Cable SMF-410 (HD D-sub 15 pin
(male) \leftrightarrow HD D-sub 15 pin
(male))

Signal Adapter
ADP-20 (Macintosh \leftrightarrow HD D-
sub 15-pin)

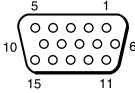
Screens
50-inch Portable Screen
VPS-50C¹
100-inch Flat Screen
VPS-100FH
120-inch Flat Screen
VPS-120FH

Some of the items may not be available in some areas. For details, please consult your nearest Sony office.

- 1) VPS-50C may not be available in some areas.
For details, please consult your nearest Sony office.

Pin assignment

INPUT A connector (HD D-sub 15-pin, female)



1	R/R-Y	9	N.C.
2	G/Y	10	GND
3	B/B-Y	11	GND
4	GND	12	N.C.
5	GND	13	HD/C.Sync
6	GND (R)	14	VD
7	GND (G)	15	N.C.
8	GND (B)		

MOUSE connector (6-pin, female)



1	DATA
2	N.C.
3	GND
4	+5V
5	CLK
6	N.C.

Other

Input signals and adjustable/ setting items

PICTURE CTRL menu

Item	Input signal			
	Video or S video (Y/C)	Component	RGB	B&W
CONTRAST	●	●	●	●
BRIGHT	●	●	●	●
COLOR	●	●	–	–
HUE	● (NTSC 3.58/ 4.43 only)	–	–	–
SHARP	●	●	–	●
D. PICTURE	●	●	–	●
GAMMA MODE	–	–	●	–
COLOR TEMP	●	●	●	●
COLOR SYS	●	–	–	●

● : Adjustable/can be set

– : Not adjustable/cannot be set

INPUT SETTING menu

Item	Input signal			
	Video or S video (Y/C)	Component	RGB	B&W
DOT PHASE	–	–	●	–
SIZE	–	–	●	–
SHIFT	–	–	●	–
SCAN CONV	–	–	●	–
ASPECT	●	●	–	●

● : Adjustable/can be set

– : Not adjustable/cannot be set

Preset signals

Memory No.	Preset signal		fH (kHz)	fV (Hz)	Sync	SIZE	
1	Video 60 Hz		15.734	59.940	/	/	
2	Video 50 Hz		15.625	50.000			
3	15k RGB/Component 60 Hz		15.734	59.940			S on G/Y or Composite Sync
4	15k RGB/Component 50 Hz		15.625	50.000			S on G/Y or Composite Sync
6	640 × 350	VGA mode 1	31.469	70.086	H-pos, V-neg	800	
7		VGA VESA 85 Hz	37.861	85.080	H-pos, V-neg	832	
8	640 × 400	PC-9801 Normal	24.823	56.416	H-neg, V-neg	848	
9		VGA mode 2	31.469	70.086	H-neg, V-pos	800	
10		VGA VESA 85 Hz	37.861	85.080	H-neg, V-pos	832	
11	640 × 480	VGA mode 3	31.469	59.940	H-neg, V-neg	800	
12		Macintosh 13"	35.000	66.667	H-neg, V-neg	864	
13		VGA VESA 72 Hz	37.861	72.809	H-neg, V-neg	832	
14		VGA VESA 75 Hz	37.500	75.000	H-neg V-neg	840	
15		VGA VESA 85 Hz	43.269	85.008	H-neg V-neg	832	
16	800 × 600	SVGA VESA 56 Hz	35.156	56.250	H-pos, V-pos	1024	
17		SVGA VESA 60 Hz	37.879	60.317	H-pos, V-pos	1056	
18		SVGA VESA 72 Hz	48.077	72.188	H-pos, V-pos	1040	
19		SVGA VESA 75 Hz	46.875	75.000	H-pos, V-pos	1056	
20		SVGA VESA 85 Hz	53.674	85.061	H-pos, V-pos	1048	
21	832 × 624	Macintosh 16"	49.724	74.550	H-neg, V-neg	1152	
22	1024 × 768	XGA VESA 43 Hz	35.522	43.479	H-pos, V-pos	1264	
23		XGA VESA 60 Hz	48.363	60.004	H-neg V-neg	1344	
24		XGA VESA 70 Hz	56.476	70.069	H-neg V-neg	1328	
25		XGA VESA 75 Hz	60.023	75.029	H-pos, V-pos	1312	
26		XGA VESA 85 Hz	68.677	84.997	H-pos, V-pos	1376	
27	1152 × 864	SXGA VESA 70 Hz	63.995	70.016	H-pos, V-pos	1472	
28		SXGA VESA 75 Hz	67.500	75.000	H-pos, V-pos	1600	
29		SXGA VESA 85 Hz	77.487	85.057	H-pos, V-pos	1568	
30	1152 × 900	Sunmicro LO	61.795	65.960	H-neg, V-neg	1504	
31		Sunmicro HI	71.713	76.047	H-neg, V-neg	1472	
32	1280 × 960	SXGA VESA 60 Hz	60.000	60.000	H-pos, V-pos	1800	
33		SXGA VESA 75 Hz	75.000	75.000	H-pos, V-pos	1728	

Other

Memory No.	Preset signal		fH (kHz)	fV (Hz)	Sync	SIZE
34	1280 × 1024	SXGA VESA 43 Hz	46.433	43.436	H-pos, V-pos	1696
35		SGI-5	53.316	50.062	S on G	1680
36		SXGA VESA 60 Hz	63.974	60.013	H-pos, V-pos	1696
37		SXGA VESA 75 Hz	79.976	75.025	H-pos, V-pos	1688
38		SXGA VESA 85 Hz	91.146	85.024	H-pos, V-pos	1296

Warning on power connection

Use a proper power cord for your local power supply.

	The United States, Canada		Continental Europe	UK, Ireland, Australia, Newzealand	Japan
Plug type	VM0233	290B	YP-12A	__ 1)	VM1296
Female end	VM0089	386A	YC-13B	VM0310B	VM10505
Cord type	SJT	SJT	H05VV-F	N13237/CO-228	HVCTF
Rated Voltage & Current	10A/125V	10A/125V	10A/250V	10A/250V	13A/125V
Safety approval	UL/CSA	UL/CSA	VDE	VDE	DENTORI

1) **Note:** Use an appropriate rating plug which is applied to local regulations.

Index

A

- Adjusting
 - memory of the settings 24
 - the picture22, 25
 - the picture size/shift26
- Air filter30
- ASPECT26

B

- Battery
 - installation12
 - notes13
- BRIGHT25

C

- Carrying handle8
- COLOR25
- COLOR SYS (System) ...25
- COLOR TEMP25
- Connections
 - component equipment 17
 - computer15
 - VCR17
- CONTRAST25

D

- D. (Dynamic) PICTURE 25
- DIGITAL KEYSTONE ..28
- DOT PHASE26

G

- GAMMA MODE25

H

- HUE25

I

- INPUT A connector11
 - pin assignment37
- INPUT SETTING menu .26
- INPUT-A27
- Installation examples14
 - notes34
 - unsuitable conditions ..34

K

- KEYSTONE MEMORY 27

L

- Lamp replacement29
- LAMP TIMER28
- LANGUAGE28
 - selecting the menu
 - language19
- Location and function of controls
 - connector panel11
 - control panel10
 - front/left/bottom side8
 - rear/right side8
 - Remote Commander ...12

M

- Menu
 - clearing the menu
 - display24
 - INPUT SETTING
 - menu26
 - PICTURE CTRL
 - menu25
 - SET SETTING menu .27
 - using the menu24

Message

- caution33
- warning33
- Mouse cable
 - connection17
 - pin assignment37
- Mouse connector11
 - pin assignment37

O

- Optional accessories36

P

- PICTURE CTRL menu ..25
- Pin assignment37
- Power
 - turn on21
- POWER SAVING ... 10, 28
- Precautions6

R

- Remote Commander
 - battery installation12
 - location and function of controls12
- Remote control detector
 - front8
 - rear9
 - setting28
- Reset
 - resetting the item24
 - resttable items24

S

- SCAN CONV (Scan converter)26
- Screen size14, 35
- SET SETTING menu27
- SHARP25
- SHIFT26
- SIRCS RECEIVER 8, 9, 28
- SIZE26
- Specifications35
- STATUS (on-screen display)27
- Supplied accessories36

T

- Troubleshooting31

U

- USB connector11, 16

V

- Ventilation holes
 - exhaust8
 - intake8, 9

AVERTISSEMENT

Afin d'éviter tout risque d'incendie ou d'électrocution, n'exposez pas cet appareil à la pluie ou à l'humidité.

Afin d'éviter tout risque d'électrocution, n'ouvrez pas le châssis. Confiez l'entretien uniquement à un personnel qualifié.

Pour les utilisateurs au Canada

Cet appareil numérique de la classe B est conforme à la norme NMB-003 du Canada.

La prise doit être près de l'appareil et facile d'accès.
--

Table des matières

Aperçu

Précautions	4
Caractéristiques	5
Emplacement et fonction des commandes	6
Avant/Gauche/Bas	6
Arrière/Côté droit	6
Panneau de commande	8
Panneau des connecteurs	9
Télécommande	10

Installation et projection

Installation du projecteur	12
Raccordement du projecteur	13
Raccordement à un ordinateur	13
Raccordement à un magnétoscope ou à un appareil à signal RVB 15k/à composantes .	15
Sélection de la langue de menu	17
Projection	19

Réglages à l'aide du menu

Utilisation du MENU	22
Le menu CTRL IMAGE	23
Le menu REGL ENTREE	24
Le menu REGLAGE	26

Entretien

Entretien	28
Remplacement de la lampe	28
Nettoyage du filtre à air	29
Guide de dépannage	31
Messages d'avertissement	33
Messages de précaution	33

Divers

Remarques sur l'installation	34
Installation déconseillée	34
Positions déconseillées	35
Spécifications	36
Index	41

FR

Précautions

Sécurité

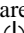
- Vérifiez si la tension de service de votre appareil est identique à la tension secteur locale.
- Si du liquide ou un objet quelconque venaient à pénétrer à l'intérieur dans le châssis, débranchez l'appareil et faites-le vérifier par un technicien qualifié avant de le remettre en service.
- Débranchez l'appareil de la prise murale si vous n'avez pas l'intention d'utiliser le projecteur pendant plusieurs jours.
- Pour débrancher le cordon, saisissez-le par la fiche. Ne tirez jamais sur le cordon proprement dit.
- La prise murale doit se trouver à proximité de l'appareil et être facile d'accès.
- L'appareil n'est pas déconnecté de la source d'alimentation (secteur) tant qu'il reste branché à la prise murale, même si l'appareil proprement dit a été mis hors tension.
- Ne regardez pas vers l'objectif lorsque la lampe est allumée.
- Ne placez pas la main ou d'autres objets à proximité des orifices de ventilation. L'air expulsé est brûlant.
- Veillez à ne pas vous coincer les doigts dans le support réglable lorsque vous soulevez le projecteur. Ne poussez pas trop fort sur le dessus du projecteur lorsque le support réglable est abaissé.

Eclairage

- Pour obtenir la meilleure qualité d'image possible, l'avant de l'écran ne doit pas être directement exposé à la source d'éclairage ni au rayonnement solaire.
- Nous préconisons un éclairage au moyen de spots fixés au plafond. Placez un écran sur les lampes fluorescentes de façon à éviter une altération du niveau de contraste.
- Occultez les fenêtres qui font face à l'écran au moyen de draperies opaques.

- Il est préférable d'installer le projecteur dans une pièce où le sol et les murs ne sont pas revêtus d'un matériau réfléchissant la lumière. Si le sol et les murs réfléchissent la lumière, nous vous recommandons de remplacer le revêtement du sol et des murs par une couleur sombre.

Prévention de la surchauffe interne

Après avoir mis l'appareil hors tension au moyen de la touche I / , ne débranchez pas l'appareil de la prise secteur tant que le ventilateur de refroidissement tourne.

Attention

Le projecteur est équipé d'orifices de ventilation (prise d'air) au bas de l'appareil et d'orifices de ventilation (sortie d'air) à gauche et à l'arrière. N'obstruez pas ces orifices et ne placez rien à proximité car vous risqueriez de provoquer une surchauffe interne pouvant entraîner une altération de l'image ou des dommages au projecteur.

Entretien

- Pour conserver au châssis l'éclat du neuf, nettoyez-le régulièrement au moyen d'un chiffon doux. Pour éliminer les taches récalcitrantes, employez un chiffon légèrement imprégné d'une solution détergente neutre. N'utilisez en aucun cas des solvants puissants tels que du diluant, du benzène ni d'agents nettoyants abrasifs dans la mesure où ces produits risquent d'endommager le fini du châssis.
- Ne touchez pas l'objectif. Pour dépoussiérer l'objectif, employez un chiffon doux et sec. N'utilisez pas de chiffon humide, de solution détergente ni de diluant.
- Nettoyez le filtre à intervalles réguliers.

Emballage

- Conservez le carton d'emballage et les matériaux de conditionnement d'origine, car ils constituent une protection idéale si vous êtes amené à transporter l'appareil. Pour une protection optimale, remballer votre appareil comme il a été emballé à l'origine en usine.

Caractéristiques

Facilité d'emport

- **Poids léger/format compact**

Ce projecteur ne pèse qu'environ 2,9 kg et ne dépasse pas le format de dossier B5 grâce à l'adoption d'un nouveau mécanisme rétractable. Il est également équipé d'une poignée de transport qui vous permet de l'emporter aisément avec votre ordinateur.

Réduction de bruit

Les bruits de fonctionnement du projecteur ont été réduits grâce à un nouveau mécanisme de refroidissement.

Luminosité élevée, haute qualité d'image

- **Luminosité élevée**

L'adoption d'un nouveau système optique et de la lampe UHP de 120 W autorisent une haute luminosité (600 lumen ANSI de rendement) et une excellente uniformité de l'image.

- **Haute définition**

Utilisant trois panneaux SVGA de 0,7 pouce et de 480.000 pixels, ce projecteur offre une résolution de 800 × 600 points pour l'entrée RVB et de 600 lignes TV horizontales pour l'entrée vidéo.

Installation et présentation simplifiées

- **Installation simplifiée avec un appareil externe**

Ce projecteur est pré-réglé pour 37 types de signaux d'entrée. Vous pouvez projeter les images d'une source de signal extérieure en raccordant l'équipement concerné avec le câble fourni et en appuyant sur la touche APA.

- **Télécommande avec fonctions de commande de souris**

Vous pouvez commander un ordinateur au moyen de la télécommande étant donné que l'appareil dispose d'un récepteur de souris intégré.

Compatible avec la fonction de plate-forme USB (Universal Serial Bus)

Vous pouvez raccorder le projecteur à tout appareil compatible USB, tel qu'une souris USB, et commander le projecteur à l'aide du logiciel d'application fourni au départ d'un ordinateur.¹⁾ Ce logiciel d'application vous permet d'ouvrir un dossier que vous désirez utiliser pour votre présentation à l'aide de la télécommande fournie.

Compatible avec différents signaux d'entrée

- **Convertisseur de balayage chargé**

Ce projecteur dispose d'un convertisseur de balayage intégré qui convertit le signal d'entrée en 800 × 600 points.

- **Signaux d'entrée compatibles**

Ce projecteur accepte les signaux vidéo composites, S vidéo et à composantes, ainsi que les signaux RVB 15k, VGA, SVGA, XGA et SXGA, qui peuvent tous être affichés.

- **Compatible avec six systèmes couleur**

Les systèmes couleur NTSC, PAL, SECAM, NTSC_{4.43}²⁾, PAL-M ou PAL-N peuvent être sélectionnés automatiquement ou manuellement.

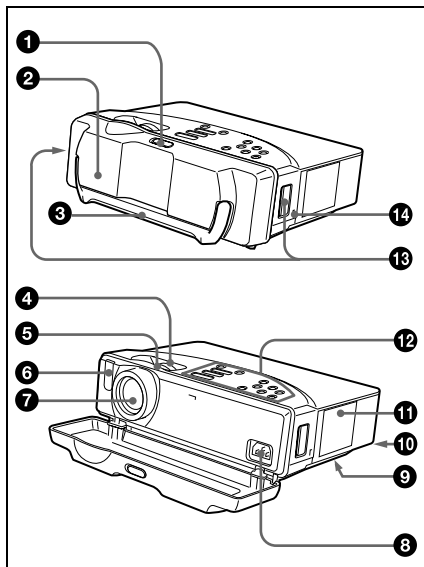
-
- Windows est une marque de commerce de Microsoft Corporation déposée aux Etats-Unis et/ou dans d'autres pays.
 - VGA, SVGA, XGA et SXGA sont des marques de commerce déposées de International Business Machines Corporation, Etats-Unis.
 - Macintosh est une marque de commerce déposée de Apple Computer, Inc.
 - IBM PC/AT est une marque de commerce déposée de International Business Machines Corporation, Etats-Unis.

- VESA est une marque de commerce déposée de Video Electronics Standard Association.
- Display Data Channel est une marque de commerce de Video Electronics Standard Association.
- PC-98 est une marque commerciale de NEC Corporation.

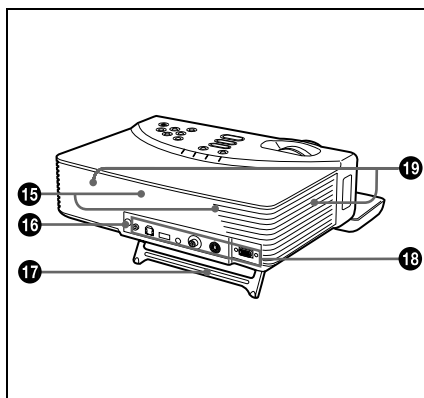
- 1) Le logiciel d'application fourni et la fonction de plate-forme USB de ce projecteur sont compatibles avec le modèle préinstallé de Windows 98.
- 2) NTSC^{4.43} est le système couleur utilisé lors de la reproduction d'enregistrements vidéo réalisés en NTSC sur un magnétoscope NTSC 4.43.

Emplacement et fonction des commandes

Avant/Gauche/Bas



Arrière/Côté droit



1 Touche de verrouillage**2 Couvercle avant**

Faites coulisser la touche de verrouillage pour ouvrir le couvercle avant. Le pied au bas du projecteur s'ouvre. Lors de la projection d'une image, placez le projecteur sur une surface plane avec le pied ouvert.

3 Poignée de transport

Déployez la poignée du projecteur pour le transporter.

4 Bague de zoom

Ajuste la taille de l'image.

5 Bague de mise au point

Ajuste la mise au point de l'image.

6 Capteur de télécommande frontal (récepteur SIRCS)**7 Objectif****8 Prise AC IN**

Branchez-y le cordon d'alimentation secteur fourni.

9 Orifices de ventilation (prise d'air)/couvercle de filtre à air (bas)**Remarques**

- Ne placez rien à proximité des orifices de ventilation sous peine de provoquer une surchauffe interne.
- Ne placez pas les mains ou des objets à proximité des orifices de ventilation, car l'air ne pouvant plus sortir risque d'entraîner une surchauffe interne.
- Pour maintenir des performances optimales, nettoyez le filtre à air toutes les 300 heures.

10 Couvercle de la lampe (bas)**11 Orifices de ventilation (sortie d'air)****12 Panneau de commande**

Pour plus de détails, voir "Panneau de commande" à la page 8.

13 Support de bandoulière**14 Serrure de sécurité**

Branchez-y un câble de sécurité en option (Kensington).

La serrure de sécurité est conforme au système de sécurité MicroSaver de Kensington.

Si vous avez des commentaires, contactez :

Kensington
2853 Campus Drive
San Mateo, CA 94403
U.S.A.
Tél : 800-535-4242 : poste 3348

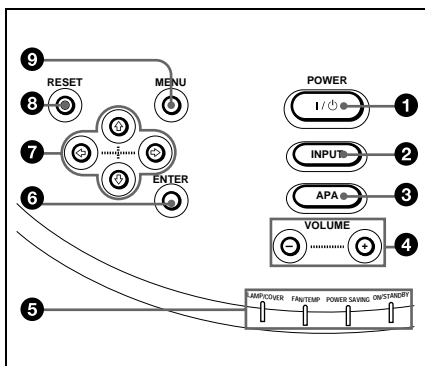
Adresse page d'accueil :
<http://www.kensington.com/>

15 Haut-parleur**16 Capteur de télécommande frontal (récepteur SIRCS)****17 Pied****18 Panneau des connecteurs**

Pour plus de détails, voir "Panneau des connecteurs" à la page 9.

19 Orifices de ventilation (prise d'air)

Panneau de commande



1 Touche I / \odot (marche/veille)

Met le projecteur sous/hors tension lorsque le projecteur est en mode de veille. L'indicateur ON/STANDBY s'allume en vert lorsque l'appareil est sous tension.

Lorsque vous mettez l'appareil hors tension, appuyez deux fois sur la touche I / \odot suivant le message sur l'écran, ou appuyez sur la touche et maintenez-la pendant environ 1 seconde.

Pour plus de détails sur la procédure de mise hors tension, voir "Pour mettre le projecteur hors tension" à la page 21.

2 Touche INPUT

Sélectionne le signal d'entrée. Chaque fois que vous appuyez sur cette touche, le signal d'entrée permute entre le signal vidéo et le signal transmis via le connecteur INPUT A.

3 Touche APA (alignement automatique des pixels)

Règle une image à projeter le plus nettement possible de manière automatique lorsqu'un signal de l'ordinateur est reçu.

4 Touches VOLUME +/-

Règlent le volume des haut-parleurs intégrés.

+ : Augmente le volume.

- : Diminue le volume.

5 Indicateurs

- **LAMP/COVER** : S'allume ou clignote dans les conditions suivantes :
 - S'allume lorsque la lampe a atteint la fin de sa durée de vie ou une température élevée.
 - Clignote lorsque le couvercle de la lampe ou le couvercle du filtre à air n'est pas correctement fixé.
- **FAN/TEMP (température)** : S'allume ou clignote dans les conditions suivantes :
 - S'allume lorsque la température à l'intérieur du projecteur devient anormalement élevée.
 - Clignote lorsque le ventilateur est défectueux.
- **POWER SAVING** : S'allume lorsque le projecteur est en mode d'économie d'énergie. Lorsque MODE ECO dans le menu REGLAGE est mis sur ON, le projecteur passe en mode d'économie d'énergie si aucun signal n'est entré pendant 10 minutes. Bien que la lampe s'éteigne, le ventilateur de refroidissement continue de tourner. En mode d'économie d'énergie, aucune des touches ne fonctionne pendant les 30 premières secondes. Le mode d'économie d'énergie est désactivé dès qu'un signal est entré ou qu'une touche est actionnée.
- **ON/STANDBY** : S'allume ou clignote dans les conditions suivantes :
 - S'allume en rouge lorsque le cordon d'alimentation secteur est branché à une prise murale. Lorsque le projecteur se trouve en mode de veille, vous pouvez le mettre sous tension à l'aide de la touche I / \odot .
 - S'allume en vert lorsque le projecteur est sous tension.
 - Clignote en vert tant que le ventilateur de refroidissement tourne après la mise hors tension à l'aide de la touche I / \odot . Le ventilateur tourne pendant environ 90 secondes après la mise hors tension. L'indicateur ON/STANDBY clignote rapidement pendant les

30 premières secondes. Pendant ce temps, vous ne pouvez pas remettre le projecteur sous tension à l'aide de la touche I / ⏻.

Pour plus de détails sur les indicateurs LAMP/COVER et FAN/TEMP, voir page 33.

6 Touche ENTER

Confirme la saisie des réglages de paramètres dans le menu système.

7 Touches fléchées (↑/↓/←/→)

Servent à sélectionner le menu ou à procéder à différents réglages.

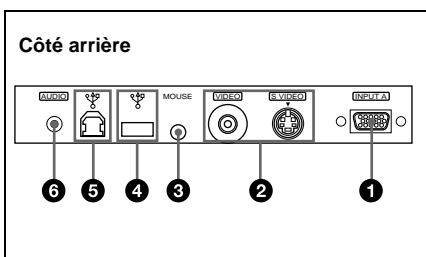
8 Touche RESET

Restaure la valeur de réglage par défaut d'un paramètre. Cette touche est opérante lorsque le menu ou un paramètre de réglage est affiché à l'écran.

9 Touche MENU

Affiche l'écran de menu. Appuyez à nouveau sur cette touche pour désactiver le menu.

Panneau des connecteurs



1 Connecteur INPUT A (HD D-sub à 15 broches, femelle)

Raccordez-le à un appareil externe comme un ordinateur.
Raccordez-le à la sortie moniteur d'un ordinateur à l'aide du câble fourni.
Pour entrer un signal à composantes ou RVB 15k, utilisez le câble en option.

2 Connecteur d'entrée vidéo

Raccordez-le à un appareil vidéo externe comme un magnétoscope.

- **S VIDEO (miniconnecteur DIN à 4 broches)** : Raccordez-le à la sortie S vidéo (sortie vidéo Y/C) de l'appareil vidéo.
- **VIDEO (type phono)** : Raccordez-le à la sortie vidéo composite d'un appareil vidéo.

Remarque

Si vous raccordez un appareil vidéo simultanément aux prises S VIDEO et VIDEO, c'est le signal transmis via la prise S VIDEO qui est sélectionné. Lorsque vous projetez l'image via la prise VIDEO, veillez à ne pas raccorder un câble à la prise S VIDEO.

3 Connecteur MOUSE (6 broches)

Raccordez-le au port pour souris PS/2 d'un ordinateur à l'aide du câble de souris fourni pour commander la fonction souris.

4 Connecteur USB (fiche A USB pour descente de données, 4 broches)

Raccordez-le à un appareil USB tel qu'une souris, un appareil photo, etc.

5 Connecteur USB (fiche B USB pour descente de données, 4 broches)

Raccordez-le à un connecteur USB d'un ordinateur. Lorsque vous raccordez le projecteur à l'ordinateur, le projecteur reconnaît la souris de l'ordinateur raccordé au connecteur INPUT A et vous pouvez alors commander la fonction de souris à l'aide de la télécommande fournie. Le logiciel d'application fourni peut être installé dans un ordinateur raccordé à ce connecteur.

6 Connecteur AUDIO (miniprise stéréo)

Si vous écoutez le son émis par l'ordinateur, raccordez-le à la sortie audio de l'ordinateur.

Si vous écoutez le son émis par le magnétoscope, raccordez-le à la sortie audio du magnétoscope.

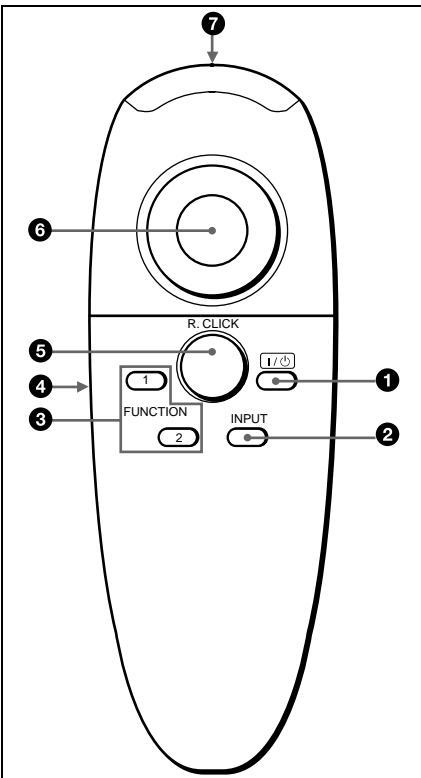
Ce connecteur fonctionne comme entrée audio des connecteurs INPUT A, VIDEO et S VIDEO.

Télécommande

Les touches portant le même nom que sur le panneau de commande remplissent la même fonction.

Vous pouvez commander un ordinateur connecté au moyen de la télécommande.

Pour plus de détails, voir "Pour commander l'ordinateur à l'aide de la télécommande fournie" à la page 20.



1 Touche I / ⏻

2 Touche INPUT

3 Touches FUNCTION 1, 2

Lorsque vous avez sauvegardé un dossier sous la touche FUNCTION 1 ou 2 à l'aide du logiciel d'application fourni, vous pouvez ouvrir le dossier en appuyant sur la touche correspondante.

Pour plus de détails, reportez-vous au fichier README et au fichier d'aide accompagnant le logiciel d'application.

4 Touche L CLICK

Fonctionne comme le bouton gauche de la souris.

5 Touche R CLICK

Fonctionne comme le bouton droit de la souris.

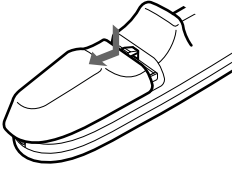
6 Manette de commande

Fonctionne comme la souris d'un ordinateur raccordé à l'appareil.

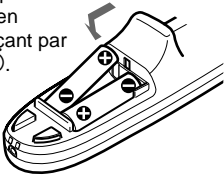
7 Emetteur infrarouge

Installation des piles

- 1 Appuyez sur le couvercle et faites-le glisser pour l'ouvrir, puis installez deux piles R03 (AAA) (fournies) en en respectant la polarité.



Veillez à placer les piles en commençant par le côté ⊖.



- 2 Remettez le couvercle en place.

Remarques sur les piles

- Veillez à orienter les piles dans le bon sens lorsque vous les installez dans la télécommande.
- N'utilisez pas en même temps des piles neuves et des piles usagées, ni des piles de types différents.
- Si vous prévoyez de ne pas utiliser la télécommande pendant une période prolongée, ôtez les piles de façon à éviter tout dommage causé par une fuite des piles. Si une pile a fuit, retirez les piles, nettoyez et séchez le compartiment à piles et remplacez les piles par des neuves.

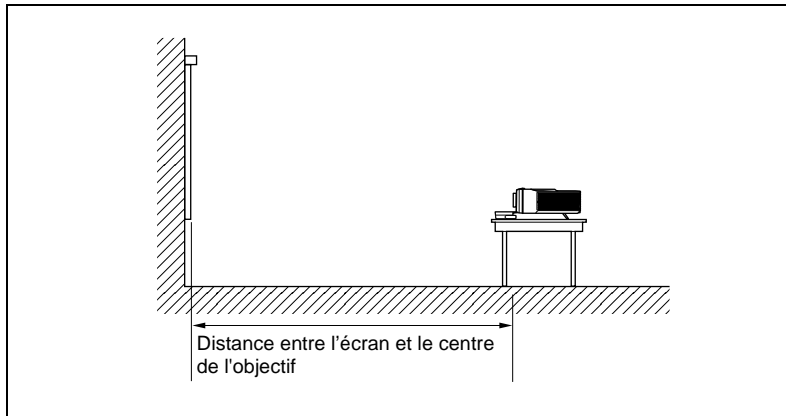
Remarques sur l'utilisation de la télécommande

- Assurez-vous qu'aucun obstacle ne perturbe la transmission du faisceau infrarouge entre la télécommande et le capteur de télécommande du projecteur. Orientez la télécommande vers le capteur de télécommande avant ou arrière.
- La portée de la télécommande est limitée. Plus la distance qui sépare la télécommande du projecteur est courte, plus le champ d'exploitation du projecteur par la télécommande est important.

Installation du projecteur

Cette section décrit comment installer le projecteur.

La distance entre l'objectif et l'écran varie suivant la taille de l'écran. Utilisez le tableau suivant comme guide de référence.



Unité : m (pieds)

Taille d'écran (pouces)	40	60	80	100	120	150
Distance minimale	1,6 (5,2)	2,4 (7,8)	3,2 (10,5)	4,0 (13,2)	4,9 (15,9)	6,1 (20,0)
Distance maximale	2,0 (6,6)	3,1 (10,0)	4,1 (13,5)	5,2 (16,9)	6,2 (20,3)	7,8 (25,5)

Remarque

Vous ne pouvez pas installer le projecteur à l'envers, par exemple au plafond.

Raccordement du projecteur

Lors de la réalisation des connexions, veuillez respecter les consignes suivantes :

- Mettez tous les appareils hors tension avant tout raccordement.
- Utilisez les câbles appropriés pour chaque raccordement.
- Branchez correctement les fiches des câbles ; des fiches incomplètement enfichées sont souvent à l'origine de parasites. Pour débrancher un câble, saisissez-le par la fiche, ne tirez pas sur le câble proprement dit.

Remarque

Le câble de souris fourni peut ne pas fonctionner correctement en fonction de votre ordinateur.

Raccordement à un ordinateur

Cette section vous décrit comment raccorder le projecteur à un ordinateur. Pour plus d'informations, reportez-vous au mode d'emploi de l'ordinateur.

Remarques

- Le projecteur accepte les signaux VGA, SVGA, XGA et SXGA. Nous vous conseillons cependant de régler le mode de sortie de votre ordinateur sur le mode SVGA pour le moniteur externe.
- Si vous réglez votre ordinateur, tel qu'un portable de type notebook, pour sortir le signal à la fois vers l'écran de votre ordinateur et le moniteur externe, il se peut que l'image n'apparaisse pas correctement sur le moniteur externe. En pareil cas, réglez votre ordinateur pour sortir le signal vers le moniteur externe uniquement.
Pour plus de détails, reportez-vous au mode d'emploi de l'ordinateur accompagnant votre ordinateur.
- Le câble de souris fourni peut ne pas fonctionner correctement en fonction de votre ordinateur.
- Ce projecteur est compatible avec DDC2B (Digital Data Channel 2B). Si votre ordinateur est compatible avec DDC, mettez le projecteur sous tension suivant la procédure suivante.

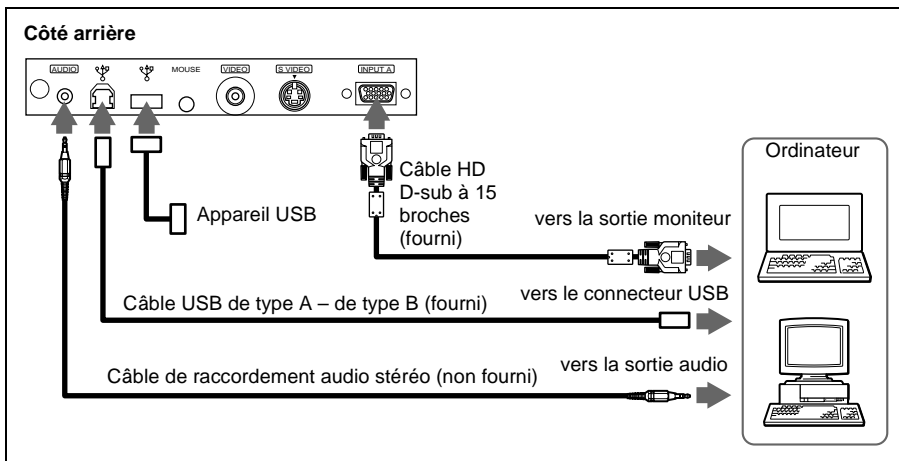
1 Raccordez le projecteur à l'ordinateur à l'aide du câble HD D-sub à 15 broches fourni.

2 Mettez le projecteur sous tension.

3 Démarrez l'ordinateur.

Raccordement à un ordinateur compatible IBM PC/AT

Lorsque vous utilisez une souris USB et un appareil USB



Remarques

- Si vous utilisez le logiciel d'application fourni, raccordez votre ordinateur comme illustré ci-dessus. Le logiciel d'application fourni et la fonction de plate-forme USB de ce projecteur peuvent être utilisés sur un ordinateur avec le modèle préinstallé Windows 98.
- Etant donné que le projecteur reconnaît la souris USB lorsque l'ordinateur est raccordé au connecteur USB, ne raccordez rien au port de souris PS/2.
- Il se peut que votre ordinateur ne démarre pas correctement lorsqu'il est raccordé à un connecteur USB sur le projecteur via le câble USB. Dans ce cas, débranchez d'abord le câble USB, redémarrez l'ordinateur, puis branchez l'ordinateur au projecteur à l'aide du câble USB fourni avec le projecteur.

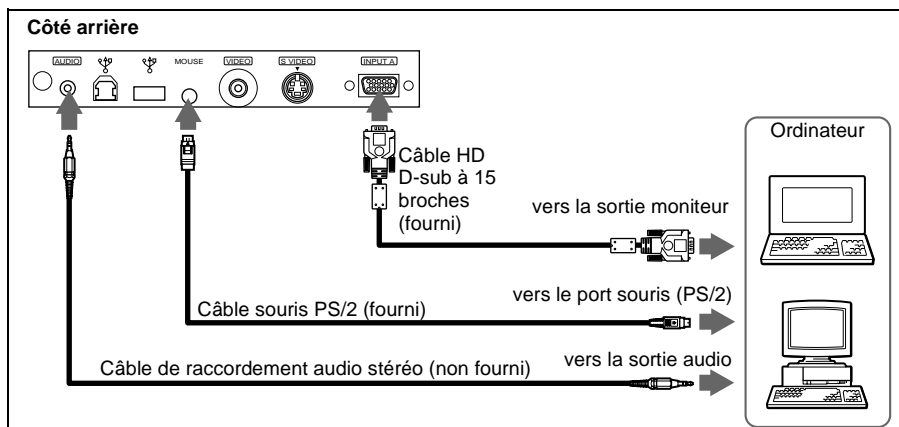
A propos de la fonction USB

Lors du premier raccordement du projecteur à un ordinateur à l'aide du câble USB, l'ordinateur reconnaît automatiquement les périphériques suivants.

- 1 Plate-forme USB (utilisation générique)
- 2 Appareil d'interface humaine USB (fonction de souris sans fil)
- 3 Appareil d'interface humaine USB (fonction de commande de projecteur)

A l'exception des appareils mentionnés ci-dessus, l'ordinateur reconnaît l'appareil raccordé au connecteur de réception de données du projecteur.

Lorsque vous utilisez un port souris PS/2



Raccordement à un ordinateur Macintosh

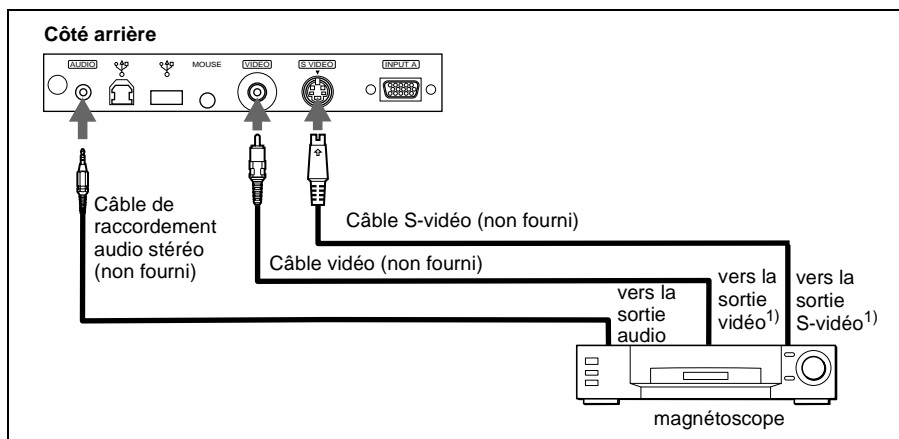
Utilisez un adaptateur de signal ADP-20 (non fourni). Dans ce cas, toutefois, vous ne pouvez pas commander la souris de l'ordinateur à l'aide de la télécommande.

Raccordement à un magnétoscope ou à un appareil à signal RVB 15k/à composantes

Cette section décrit comment raccorder le projecteur à un magnétoscope et à un appareil RVB 15k/à composantes.

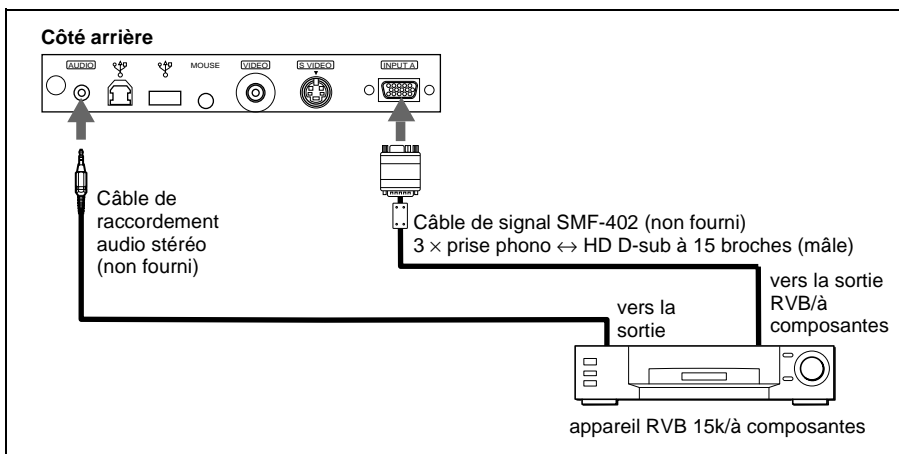
Pour plus d'informations, reportez-vous au mode d'emploi de l'appareil que vous raccordez.

Raccordement à un magnétoscope



1) Si vous raccordez un appareil externe simultanément aux prises S VIDEO et VIDEO, c'est le signal transmis via la prise S VIDEO qui est sélectionné.

Raccordement à un appareil RVB 15k/à composantes

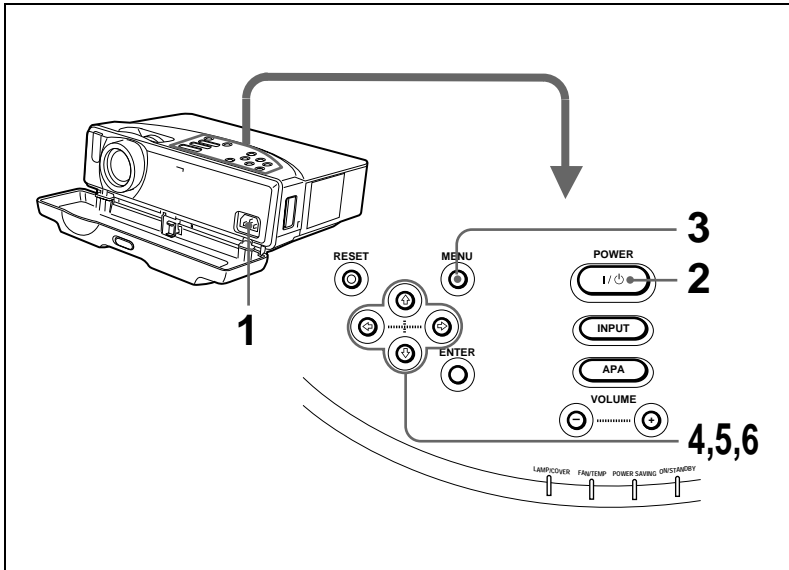


Remarques

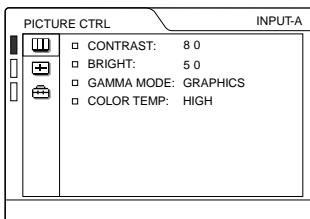
- Réglez le format de l'image à l'aide du paramètre FORMAT dans le menu REGL ENTREE en fonction du signal entré.
- Lors du raccordement du projecteur à un appareil vidéo RVB 15k/à composantes, sélectionnez le signal RVB ou à composantes au moyen de ENT. A dans le menu REGLAGE.
- Utilisez le signal de synchronisation composite lorsque vous entrez le signal de synchronisation externe d'un appareil RVB 15k/à composantes.

Sélection de la langue de menu

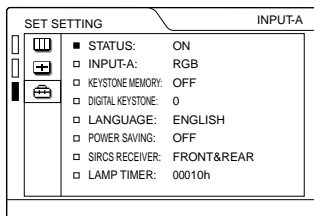
Vous pouvez sélectionner l'une des sept langues de menu et d'affichage sur écran. Le réglage par défaut est l'anglais.



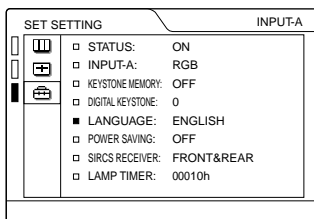
- 1** Ouvrez le couvercle avant, puis branchez le cordon d'alimentation secteur à la prise murale.
- 2** Appuyez sur la touche I/O pour mettre le projecteur sous tension.
- 3** Appuyez sur la touche MENU.
Le menu apparaît.
Le menu actuellement sélectionné s'affiche sous forme d'un bouton jaune.



- 4 Appuyez sur la touche **↑** ou **↓** pour sélectionner le menu SET SETTING (REGLAGE), puis appuyez sur la touche **→** ou ENTER.
Le menu sélectionné apparaît.



- 5 Appuyez sur la touche **↑** ou **↓** pour sélectionner "LANGUAGE" (LANGAGE), puis appuyez sur la touche **→** ou ENTER.



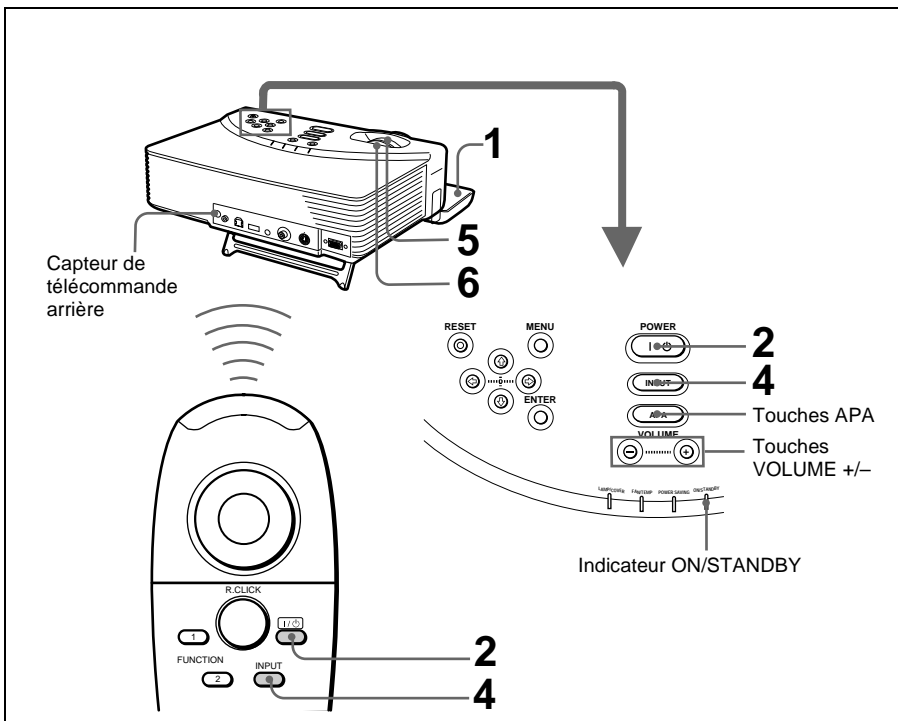
- 6 Appuyez sur la touche **↑** ou **↓** pour sélectionner une langue, puis appuyez sur la touche **←** ou ENTER.
Le menu est remplacé par la langue sélectionnée.

Pour désactiver le menu

Appuyez sur la touche MENU.

Le menu disparaît automatiquement si aucune touche n'est actionnée pendant une minute.

Projection



- 1** Ouvrez le couvercle avant, puis branchez le cordon d'alimentation secteur à la prise murale, puis raccordez tous les appareils.
L'indicateur ON/STANDBY s'allume en rouge et le projecteur passe en mode de veille.
- 2** Appuyez sur la touche I / ⏻.
L'indicateur ON/STANDBY s'allume en vert.
- 3** Met sous tension l'appareil raccordé au projecteur.
- 4** Appuyez sur la touche INPUT pour sélectionner la source d'entrée.

Pour entrer de	Appuyez sur INPUT pour afficher
Ordinateur raccordé au connecteur INPUT A	ENT. A
Appareil vidéo raccordé au connecteur d'entrée vidéo ¹⁾	VIDEO

1) Si vous raccordez simultanément les prises S VIDEO et VIDEO, c'est le signal transmis via la prise S VIDEO qui est sélectionné.

- 5 Tournez la bague de zoom pour ajuster la taille de l'image.
- 6 Tournez la bague de mise au point pour régler la netteté de l'image.

Attention

Ne regardez pas vers l'objectif en cours de projection car vous risquez sinon de vous blesser aux yeux.

Pour régler le volume

Appuyez sur les touches VOLUME +/- du panneau de commande.

Pour commander l'ordinateur à l'aide de la télécommande fournie

Lorsque vous raccordez un ordinateur compatible IBM PC/AT au projecteur, vous pouvez commander la souris de l'ordinateur à l'aide de la télécommande. Les touches R/L CLICK et la manette de commande fonctionnent comme suit.

Touche et manette de commande	Fonction
R CLICK (avant)	Touche de droite
L CLICK (arrière)	Touche de gauche
Manette de commande	Correspond aux mouvements de la souris

Remarque

Assurez-vous qu'aucun obstacle ne perturbe la transmission du faisceau infrarouge entre la télécommande et le capteur de télécommande du projecteur.

Pour obtenir l'image optimale

Vous pouvez obtenir une image optimale lorsque le signal d'un ordinateur est transmis.

- 1 Projetez une image fixe de l'ordinateur.
- 2 Appuyez sur la touche APA.
"Effectué!" apparaît à l'écran lorsque l'image est ajustée correctement.

Remarques

- Appuyez sur la touche APA lorsque l'image est affichée intégralement à l'écran. S'il y a des bords noirs autour de l'image, la fonction APA ne sera pas opérante correctement et l'image risque de déborder de l'écran.
- Si vous commutez le signal d'entrée ou rebranchez un ordinateur, appuyez de nouveau sur la touche APA pour obtenir l'image adéquate.
- Vous pouvez annuler l'ajustement en appuyant de nouveau sur la touche APA pendant que l'indication "REGLAGE" apparaît à l'écran.
- Il se peut que l'image ne soit pas réglée correctement en fonction des types de signaux entrés.
- Réglez les paramètres dans le menu REGL ENTREE lorsque vous ajustez l'image manuellement.

Pour mettre le projecteur hors tension

- 1 Appuyez sur la touche I / ⏻.
“METTRE HORS TENSION? Appuyez à nouveau sur la touche I / ⏻.” apparaît pour vous demander de confirmer la mise hors tension.

Remarque

Le message disparaît si vous appuyez sur une touche quelconque autre que la touche I / ⏻ ou si vous n'appuyez sur aucune touche pendant cinq secondes.

- 2 Appuyez de nouveau sur la touche I / ⏻.
L'indicateur ON/STANDBY clignote en vert et le ventilateur continue de tourner pendant environ 90 secondes pour réduire la chaleur interne. L'indicateur ON/STANDBY clignote rapidement pendant les 30 premières secondes. Pendant ce temps, vous ne pouvez pas remettre le projecteur sous tension à l'aide de la touche I / ⏻.
- 3 Débranchez le cordon d'alimentation de la prise secteur après que le ventilateur s'est arrêté de tourner et l'indicateur ON/STANDBY s'allume en rouge.

Si vous ne pouvez pas confirmer le message à l'écran

Si vous ne pouvez pas confirmer le message affiché à l'écran dans certaines conditions, vous pouvez mettre le projecteur hors tension en maintenant la touche I / ⏻ enfoncée pendant environ une seconde.

Remarque

Ne débranchez pas le cordon d'alimentation pendant que le ventilateur tourne, faute de quoi le ventilateur cessera de tourner même si la température à l'intérieur du projecteur est toujours élevée, ce qui peut entraîner une panne du projecteur.

Pour ranger le pied

Si vous ne comptez pas utiliser le projecteur, refermez d'abord le couvercle avant et puis pliez manuellement le pied au bas du projecteur pour terminer.

Filtre à air

Pour maintenir des performances optimales, **nettoyez le filtre à air toutes les 300 heures.**

Utilisation du MENU

Le projecteur est équipé d'un menu sur écran permettant d'effectuer divers réglages. Le panneau de commande de cet appareil vous permet d'effectuer toutes les opérations de menu.

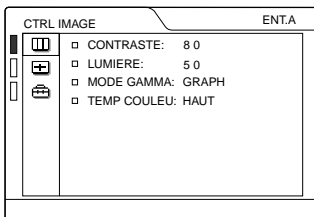
De même, vous pouvez modifier la langue de menu affichée à l'écran.

Pour modifier la langue de menu, voir "Sélection de la langue de menu" à la page 17.

1 Appuyez sur la touche MENU.

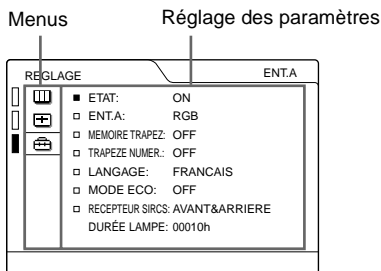
Le menu apparaît.

Le menu actuellement sélectionné s'affiche sous forme d'un bouton jaune.



2 Appuyez sur la touche ↑ ou ↓ pour sélectionner un menu, puis appuyez sur la touche → ou ENTER.

Le menu sélectionné apparaît.



3 Sélectionnez un paramètre.

Appuyez sur la touche ↑ ou ↓ pour sélectionner un paramètre, puis appuyez sur la touche → ou ENTER.

4 Procédez au réglage ou à l'ajustement d'un paramètre.

- Lors de la modification d'un niveau de réglage
Pour augmenter le nombre, appuyez sur la touche ↑ ou →.
Pour diminuer le nombre, appuyez sur la touche ↓ ou ←.
Appuyez sur la touche ENTER pour restaurer l'écran d'origine.
- Lors de la modification du réglage Appuyez sur la touche ↑ ou ↓ pour modifier le réglage.
Appuyez sur la touche ENTER ou ← pour revenir à l'écran d'origine.

Pour désactiver le menu

Appuyez sur la touche MENU.

Le menu disparaît automatiquement si aucune touche n'est actionnée pendant une minute.

Pour réinitialiser les paramètres qui viennent d'être réglés

Appuyez sur la touche RESET.

"Effectué!" apparaît à l'écran et les réglages affichés sur l'écran sont restaurés à leur valeur par défaut.

Les paramètres pouvant être réinitialisés sont :

- "CONTRASTE", "LUMIERE", "COULEUR", "TEINTE" et "NETTETE" dans le menu CTRL IMAGE
- "PHASE", "AMPL." et "DEPL." dans le menu REGL ENTREE.
- "TRAPEZE NUMER." dans le menu REGLAGE.

A propos de la mémoire des réglages

Les réglages sont automatiquement sauvegardés dans la mémoire du projecteur.

Si aucun signal n'est entré

Si aucun signal n'est entré, "PAS D'ENTREE-Réglage impossible!" apparaît à l'écran.

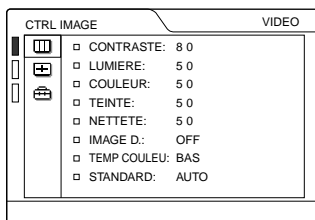
Le menu CTRL IMAGE

Le menu CTRL (contrôle) IMAGE sert à régler l'image.

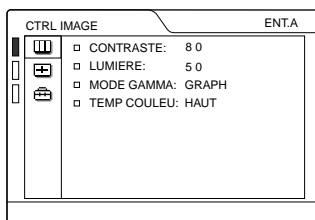
Les paramètres non réglables suivant le signal d'entrée ne sont pas affichés dans le menu.

Pour plus de détails sur les paramètres non réglables, voir page 38.

Lorsque le signal vidéo est entré



Lorsque le signal RVB est entré



Paramètres du menu

CONTRASTE

Ajuste le contraste de l'image. Plus la valeur de réglage est élevée, plus le contraste est important. Plus la valeur de réglage est basse, plus le contraste est faible.

LUMIERE

Ajuste la luminosité de l'image. Plus la valeur de réglage est élevée, plus la luminosité est importante. Plus la valeur de réglage est basse, plus l'image est sombre.

COULEUR

Ajuste l'intensité des couleurs. Plus la valeur de réglage est élevée, plus l'intensité des couleurs est importante. Plus la valeur de réglage est basse, plus l'intensité des couleurs est faible.

TEINTE

Ajuste la tonalité des couleurs. Plus la valeur de réglage est élevée, plus les tons d'image deviennent verdâtres. Plus la valeur de réglage est faible, plus les tons d'image deviennent violâtres.

NETTETE

Ajuste la netteté de l'image. Plus la valeur de réglage est élevée, plus l'image est nette. Plus la valeur de réglage est basse, moins l'image est nette.

IMAGE D. (dynamique)

Renforce les couleurs noires.

ON : Accentue la couleur noire pour produire une image plus "dynamique".

OFF : Restitue fidèlement les zones noires de l'image conformément au signal source.

MODE GAMMA

Sélectionne une courbe de correction gamma.

GRAPH : Améliore la reproduction des demi-teintes. Les photos peuvent être reproduits avec des tons naturels.

TEXTE : Souligne le contraste entre le noir et le blanc. Convient aux images comportant beaucoup de texte.

TEMP COULEU

Ajuste la température des couleurs.

HAUT : Rend les blancs plus bleuâtres.

BAS : Rend les blancs plus rougeâtres.

STANDARD (système couleur)

Sélectionne le système de couleur du signal d'entrée.

- **AUTO** : NTSC_{3.58}, PAL, SECAM et NTSC_{4.43} (commutation automatique)
- **PAL-M/N** : PAL-M/PAL-N et NTSC_{3.58} (commutation automatique)

En principe, mettez-le sur AUTO. Si l'image présente des distorsions ou est incolore, sélectionnez le système de couleur en fonction du signal d'entrée.

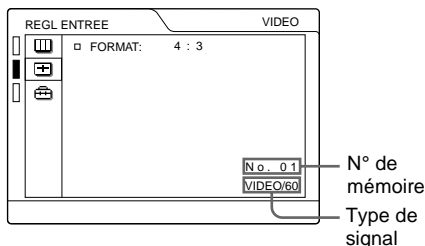
Le menu REGL ENTREE

Le menu REGL ENTREE sert au réglage du signal d'entrée.

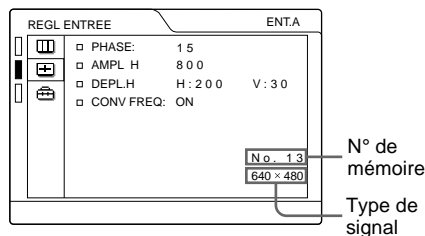
Les paramètres non réglables suivant le signal d'entrée ne sont pas affichés dans le menu.

Pour plus de détails sur les paramètres non réglables, voir page 38.

Lorsque le signal vidéo est entré



Lorsque le signal RVB est entré



Paramètres MENU

PHASE

Ajuste la phase des points du panneau LCD et du signal entré via le connecteur INPUT A.

Ajuste l'image encore plus finement après son réglage par pression de la touche APA. Règle l'image pour qu'elle apparaisse plus nette.

AMPL (dimension horizontale)

Ajuste la taille horizontale de l'image transmise par le connecteur INPUT A. Plus la valeur de réglage est élevée, plus la taille horizontale de l'image est grande. Plus la valeur de réglage est faible, moins la taille horizontale de l'image est grande. Ajustez le réglage en fonction des points du signal d'entrée.

Pour plus de détails sur la valeur adéquate pour les signaux présélectionnés, voir page 39.

DEPL. (déplacement)

Ajuste la position de l'image transmise par le connecteur INPUT A. H règle la position horizontale de l'image. V règle la position verticale de l'image. Plus la valeur de H augmente, plus l'image se déplace vers la droite ; plus la valeur diminue, plus l'image se déplace vers la gauche. Plus la valeur de V augmente, plus l'image se déplace vers le haut ; plus la valeur diminue, plus l'image se déplace vers le bas. Utilisez les touches ← et → pour ajuster la position horizontale et les touches ↑ et ↓ pour la position verticale.

CONV FREQ (convertisseur de balayage)

Convertit le signal pour afficher l'image en fonction de la taille de l'écran.

ON : Affiche l'image en fonction de la taille de l'écran. L'image perd cependant un peu de clarté.

OFF : Affiche l'image en faisant correspondre un pixel d'élément d'image entré à un pixel de l'écran LCD. L'image affichée est claire, mais d'une taille inférieure.

Remarque

Lorsqu'un signal SVGA, XGA ou SXGA est entré, ce paramètre n'est pas affiché.

FORMAT

Définit le format de l'image. Lors de l'entrée d'un signal 16:9 (comprimé) à partir d'un appareil tel qu'un lecteur DVD, choisissez 16:9.

4:3: Lorsqu'une image de rapport d'écran 4:3 est entrée.

16:9: Lorsqu'une image de rapport d'écran 16:9 (comprimée) est entrée.

A propos du n° de mémoire de présélection

Ce projecteur est doté de 37 types de données de présélection pour les signaux d'entrée transmis via ENT.A (la mémoire de présélection). Le numéro de mémoire du signal d'entrée en cours et le type de signal sont affichés lorsque le signal de présélection est entré. Le numéro de mémoire du signal d'entrée en cours et le type de signal sont affichés lorsque le signal de présélection est entré. Vous pouvez également ajuster les données de présélection via le menu REGL ENTREE. Ce projecteur est également doté de 20 types de mémoires utilisateur pour ENT.A, dans lesquelles vous pouvez sauvegarder le réglage des données réglées pour un signal d'entrée non présélectionné.

Lorsqu'un signal non présélectionné est entré pour la première fois, le numéro de mémoire 00 s'affiche. Si le signal d'entrée est ajusté dans le menu REGL ENTREE, il sera affecté au projecteur. Si plus de 20 mémoires utilisateur sont affectées, la mémoire la plus récente remplace toujours la plus ancienne.

Reportez-vous au tableau de la page 39 pour savoir si le signal est enregistré dans la mémoire de présélection.

Comme les données sont rappelées de la mémoire de présélection pour les signaux suivants, vous pouvez utiliser ces données présélectionnées en ajustant AMPL. Effectuez le réglage fin en ajustant DEPL.

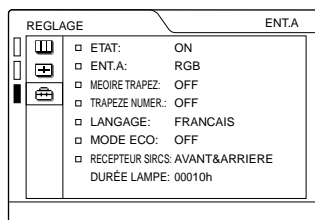
Signal	N° de mémoire	AMPL (dimension horizontale)
Super Mac-2	23	1312
SGI-1	23	1320
Macintosh 19"	25	1328
Macintosh 21"	28	1456
Sony News	36	1708
PC-9821 1280 × 1024	36	1600
WS Sunmicro	37	1664

Remarque

Lorsque le format de l'image du signal d'entrée est différent de 4:3, une partie de l'écran s'affiche en noir.

Le menu REGLAGE

Le menu REGLAGE est utilisé pour changer les réglages du projecteur.



Paramètres du menu

ETAT (affichage sur écran)

Règle l'affichage sur écran.

ON : Affichage de tous les affichages sur écran.

OFF : Désactive les affichages à l'exception des menus, du message d'indication de mise hors tension et des messages d'avertissement.

ENT. A

Sélectionne le signal RVB ou à composantes entré via le connecteur INPUT A.

Remarque


Si le réglage n'est pas correct, l'indication "Vérifiez réglage ENT. A." apparaît à l'écran et les couleurs de l'image deviennent étranges ou l'image ne s'affiche pas.

MEMOIRE TRAPEZ

Mémoire les données ajustées avec TRAPEZE NUMER.

TRAPEZE NUMER.

Ajuste la distorsion trapézoïdale de l'image qui peut se produire en fonction de l'angle de projection.

Lorsque le haut du trapèze est plus long que le bas  : Choisissez une valeur positive.

LANGAGE

Sélectionne la langue d'affichage du menu système et des écrans de menu. Les langues disponibles sont : anglais, français, allemand, italien, espagnol, japonais et chinois.

MODE ECO

Lorsqu'il est réglé sur ON, le projecteur passe en mode d'économie d'énergie si aucun signal n'est entré pendant 10 minutes.

RECEPTEUR SIRCS

Sélectionne les capteurs de télécommande (récepteur SIRCS) à l'avant et à l'arrière du projecteur.

AVANT & ARRIERE : Active les capteurs avant et arrière.

AVANT : Active le capteur avant uniquement.

ARRIERE : Active le capteur arrière uniquement.

DURÉE LAMPE

Indique le nombre total d'heures pendant lesquelles la lampe actuellement utilisée a fonctionné.

Entretien

Remplacement de la lampe

Lorsqu'il est temps de remplacer la lampe, ne tardez pas à la remplacer par une lampe pour projecteur LMP-C120.

Pour remplacer la lampe après avoir utilisé le projecteur

Mettez le projecteur hors tension et débranchez le cordon d'alimentation. Attendez au moins une heure que la lampe refroidisse.

Attention

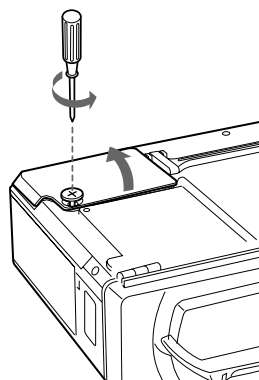
La lampe atteint une température très élevée après la mise hors tension du projecteur à l'aide de la touche I / ⏻. Si vous touchez la lampe, vous risquez de vous brûler les doigts. Pour remplacer la lampe, attendez au moins une heure que la lampe soit refroidie.

- 1 Placez une feuille de protection (textile) sous le projecteur. Retournez le projecteur de façon à ce que vous en aperceviez la base.

Remarque

Veillez à ce que le projecteur ne bascule pas après avoir retourné.

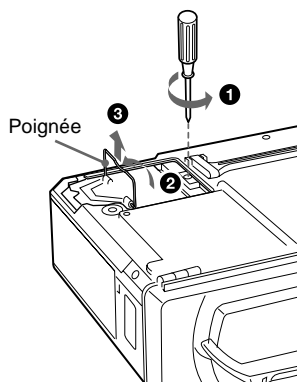
- 2 Ouvrez le couvercle de la lampe en dévissant la vis au moyen d'un tournevis Phillips (fourni avec la lampe du projecteur LMP-C120).



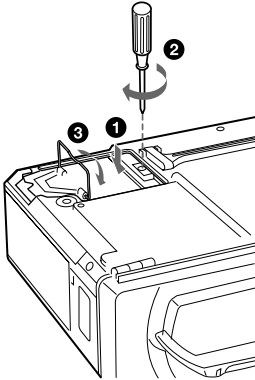
Remarque

Par mesure de sécurité, ne desserrez pas d'autres vis.

- 3 Desserrez la vis du module de lampe à l'aide du tournevis Phillips. Extrayez le module de lampe par la poignée.



- 4 Introduisez la nouvelle lampe à fond jusqu'à ce qu'elle soit correctement en place. Serrez la vis. Repliez la poignée.



Remarques

- Veillez à ne pas toucher la surface en verre de la lampe.
- Le projecteur ne se met pas sous tension si la lampe n'est pas correctement installée.

- 5 Refermez le couvercle de la lampe et serrez les vis.
- 6 Retournez le projecteur.
- 7 Branchez le cordon d'alimentation et activez le projecteur en mode veille.
- 8 Appuyez sur chacune des touches suivantes du panneau de commande dans l'ordre indiqué pendant moins de cinq secondes: RESET, ←, →, ENTER.

Remarque

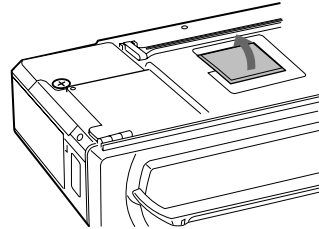
- Pour le remplacement, utilisez uniquement une lampe pour projecteur LMP-C120. Si vous utilisez une autre lampe, le projecteur risque de présenter une défaillance.
- Mettez le projecteur hors tension et débranchez le cordon d'alimentation avant de procéder au remplacement de la lampe.

- N'introduisez pas les doigts à l'intérieur du logement de la lampe et veillez à ce qu'aucun liquide ou objet n'y pénètre de manière à prévenir tout risque d'électrocution ou d'incendie.

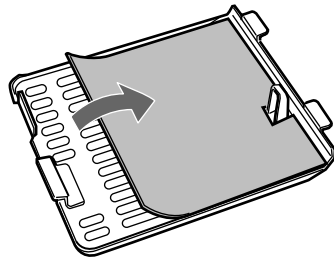
Nettoyage du filtre à air

Le filtre à air doit être nettoyé toutes les 300 heures. Quand il devient difficile d'éliminer la poussière du filtre, remplacez le filtre. Pour nettoyer le filtre à air, appliquez la procédure suivante:

- 1 Mettez le projecteur hors tension et débranchez le cordon d'alimentation.
- 2 Retournez le projecteur.



- 3 Otez le couvercle du filtre à air.



- 4 Eliminez la poussière du filtre à l'aide d'un aspirateur.

5 Réinstallez le filtre et remplacez le couvercle.

Remarques

- Si le filtre à air est trop encrassé, nettoyez-le au moyen d'une solution détergente neutre et séchez-le dans un endroit ombragé. Si vous ne parvenez pas à éliminer la poussière, remplacez le filtre à air par le nouveau filtre fourni.
- Veillez à fixer le couvercle de filtre à air correctement, parce que le projecteur ne se mettra pas sous tension si le couvercle est mal refermé.
- Le filtre à air possède un côté avant et un côté arrière. Placez le filtre à air de sorte qu'il s'engage dans une rainure du couvercle du filtre à air.

Guide de dépannage

Si le projecteur ne fonctionne pas correctement, essayez d'en déterminer la cause et remédiez au problème en vous référant aux instructions ci-dessous. Si le problème persiste, consultez le personnel qualifié Sony.

Alimentation

Symptôme	Cause et remède
Le projecteur ne se met pas sous tension.	<ul style="list-style-type: none">• Le projecteur a été mis hors et sous tension à bref intervalle à l'aide de la touche I / ⏻. → Attendez environ 90 secondes avant de mettre le projecteur sous tension. (voir page 21).• Le couvercle de la lampe est mal fixé. → Refermez correctement le couvercle de la lampe (voir page 28).• Le couvercle du filtre à air est mal fixé. → Refermez correctement le couvercle du filtre à air (voir page 29).
Les témoins LAMP/COVER et FAN/TEMP sont tous deux allumés.	<ul style="list-style-type: none">• Le circuit électrique est défectueux. → Adressez-vous à un personnel qualifié Sony.

Image

Symptôme	Cause et remède
Pas d'image.	<ul style="list-style-type: none">• Un câble est débranché ou les raccordements sont mal effectués. → Vérifiez si le raccordement a été effectué correctement (voir page 13).• La sélection d'entrée est incorrecte. → Sélectionnez correctement la source d'entrée à l'aide de la touche INPUT (voir page 19).• Le signal de l'ordinateur n'est pas défini pour sortir vers un moniteur externe. → Réglez le signal de l'ordinateur pour qu'il sorte vers un moniteur externe (voir page 13).• Le signal de l'ordinateur est défini pour sortir vers l'écran LCD de l'ordinateur et un moniteur externe. → Réglez le signal de l'ordinateur pour qu'il sorte uniquement vers un moniteur externe (voir page 13).
L'image comporte des parasites.	<ul style="list-style-type: none">• Des parasites peuvent apparaître en arrière-plan suivant la combinaison du nombre de points entrés via le connecteur et du nombre de pixels du panneau LCD. → Changez la configuration sur l'ordinateur raccordé.
L'image via le connecteur INPUT A présente des couleurs anormales.	<ul style="list-style-type: none">• Le réglage pour ENT.A dans le menu REGLAGE est incorrect. → Sélectionnez RVB ou COMPOSANT pour ENT.A dans le menu REGLAGE en fonction du signal d'entrée (voir page 26).
“Vérifiez le réglage ENT.A.” apparaît même si le signal d'entrée correct est transmis via INPUT A.	<ul style="list-style-type: none">• Le réglage pour ENT.A dans le menu REGLAGE est incorrect. → Sélectionnez RVB ou COMPOSANT pour ENT.A dans le menu REGLAGE en fonction du signal d'entrée (voir page 26).

Symptôme	Cause et remède
Pas d'affichage sur écran.	<ul style="list-style-type: none"> Le paramètre ETAT du menu REGLAGE est réglé sur OFF. → Réglez ETAT dans le menu REGLAGE sur ON (voir page 26).
La balance des couleurs est incorrecte.	<ul style="list-style-type: none"> L'image n'est pas correctement réglée. → Réglez l'image (voir page 23). Le projecteur est réglé sur le mauvais système couleur. → Réglez STANDARD dans le menu CTRL IMAGE pour qu'il corresponde au système couleur entré (voir page 24).
L'image est trop foncée.	<ul style="list-style-type: none"> Le contraste ou la luminosité n'est pas réglé correctement. → Réglez correctement le contraste ou la luminosité dans le menu CTRL IMAGE (voir page 23).
L'image n'est pas claire.	<ul style="list-style-type: none"> L'image n'est pas nette. → Réglez la mise au point de l'image (voir page 20). De la condensation s'est formée sur l'objectif. → Laissez le projecteur environ deux heures sous tension.
L'image apparaît trop petite à l'écran.	<ul style="list-style-type: none"> Le paramètre DEPL. du menu REGL ENTREE n'a pas été bien réglé. → Réglez correctement DEPL. dans le menu REGL ENTREE (voir page 25).
L'image tremblote.	<ul style="list-style-type: none"> Le paramètre PHASE du menu REGL ENTREE n'a pas été bien réglé. → Réglez correctement PHASE dans le menu REGL ENTREE (voir page 24).

Son

Symptôme	Cause et remède
Pas de son.	<ul style="list-style-type: none"> Un câble est débranché ou les raccordements sont mal effectués. → Vérifiez si le raccordement a été effectué correctement (voir page 13).
Lorsque le son est transmis par le connecteur AUDIO, le son ne passe que par un seul canal.	<ul style="list-style-type: none"> Le son monaural est entré par le connecteur AUDIO. → Entrez un son stéréo.

Télécommande

Symptôme	Cause et remède
La télécommande ne fonctionne pas.	<ul style="list-style-type: none"> Les piles de la télécommande sont épuisées. → Remplacez les piles (voir page 11). Le capteur de télécommande avant/arrière est à proximité d'une lampe fluorescente. → Changez le réglage de RECEPTEUR SIRCS dans le menu REGLAGE (voir page 27).
La manette de commande, la touche R CLICK ou L CLICK ne fonctionne pas.	<ul style="list-style-type: none"> Le port souris de l'ordinateur ne reconnaît pas le câble de la souris. → Redémarrez l'ordinateur.

Divers

Symptôme	Cause et remède
L'indicateur LAMP/COVER clignote.	<ul style="list-style-type: none">• Le couvercle de la lampe ou du filtre à air est mal fixé. → Fixez correctement le couvercle (voir page 28).
L'indicateur LAMP/COVER s'allume.	<ul style="list-style-type: none">• La lampe a atteint la fin de sa durée de vie. → Remplacez la lampe (voir page 28).• La lampe a atteint une température élevée. → Attendez 90 secondes que la lampe refroidisse et remettez le projecteur sous tension (voir page 28).
L'indicateur FAN/TEMP clignote.	<ul style="list-style-type: none">• Le ventilateur est défectueux. → Adressez-vous à un personnel qualifié Sony.
L'indicateur FAN/TEMP s'allume.	<ul style="list-style-type: none">• La température à l'intérieur du projecteur est anormalement élevée. → Vérifiez si les orifices de ventilation ne sont pas obstrués.
Les témoins LAMP/COVER et FAN/TEMP sont tous deux allumés.	<ul style="list-style-type: none">• Le circuit électrique est défectueux. → Adressez-vous à un personnel qualifié Sony.

Messages d'avertissement

Consultez la liste ci-dessous pour connaître la signification des messages affichés à l'écran.

Message	Signification et remède
Surchauffe! Lampe OFF 1 min.	<ul style="list-style-type: none">• La température à l'intérieur du projecteur est trop élevée. → Mettez le projecteur hors tension. → Vérifiez si les orifices de ventilation ne sont pas obstrués.
Fréquence est hors limites!	<ul style="list-style-type: none">• Ce signal d'entrée ne peut être projeté car la fréquence est en dehors de la plage compatible avec ce projecteur. → Entrez un signal dans la plage de fréquences compatible avec ce projecteur.• Le réglage de la définition du signal de sortie de l'ordinateur est trop élevé. → Réglez la sortie sur SVGA (voir page 13).
Vérifiez réglage ENT.A.	<ul style="list-style-type: none">• Vous avez entré un signal RVB de l'ordinateur alors que ENT.A dans le menu REGLAGE est réglé sur COMPOSANT. → Réglez ENT.A correctement (voir page 26).

Messages de précaution

Consultez la liste ci-dessous pour connaître la signification des messages affichés à l'écran.

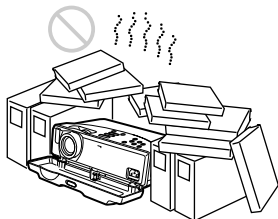
Message	Signification et remède
PAS D'ENTREE	<ul style="list-style-type: none">• Absence de signal d'entrée → Vérifiez les connexions (voir page 13).
Non applicable!	<ul style="list-style-type: none">• Vous avez appuyé sur la mauvaise touche. → Appuyez sur la touche appropriée.

Remarques sur l'installation

Installation déconseillée

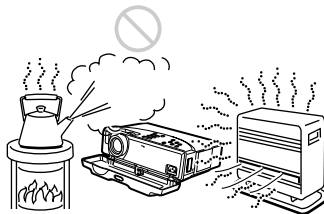
N'installez pas le projecteur dans les situations suivantes. Ces installations peuvent entraîner un dysfonctionnement ou causer des dommages au projecteur.

Mauvaise ventilation



- Assurez une circulation d'air adéquate afin d'éviter toute surchauffe interne. Ne placez pas l'appareil sur des surfaces textiles (tapis, couvertures, etc.) ni à proximité de tissus (rideaux, draperies) qui risquent d'obstruer les orifices de ventilation. Si la température intérieure augmente à la suite d'une obstruction des orifices de ventilation, le capteur de température s'active et le message "Surchauffe! Lampe OFF 1 min." s'affiche. Le projecteur se met alors automatiquement hors tension après une minute.
- Laissez un espace libre de plus de 30 cm (11 ⁷/₈ pouces) autour du projecteur.
- Veillez à ce que les orifices de ventilation n'aspirent pas de particules telles que des morceaux de papier.

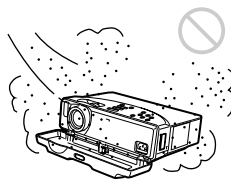
Exposition à la chaleur et à l'humidité



- N'installez pas l'appareil dans un endroit où la température ou l'humidité sont très élevées ou dans un endroit très froid.
- Pour éviter la condensation d'humidité, n'installez pas l'appareil dans un endroit où la température peut augmenter rapidement.

Endroit très poussiéreux

N'installez pas l'appareil dans un endroit très poussiéreux, faute de quoi le filtre à air va s'obstruer. La poussière obstruant le passage de l'air dans le filtre peut entraîner une augmentation de la température intérieure du projecteur. Nettoyez-le régulièrement.

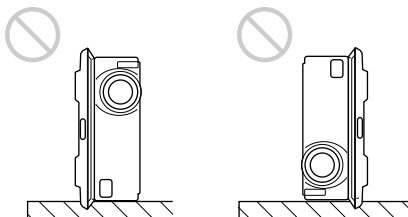


Positions déconseillées

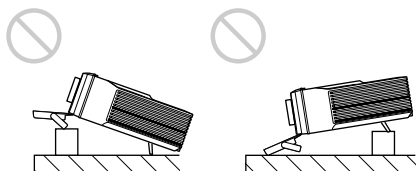
N'utilisez pas le projecteur dans les situations suivantes.

N'installez pas le projecteur sur son flanc

Evitez d'utiliser le projecteur dans une position qui pourrait entraîner un basculement. Cela pourrait provoquer un dysfonctionnement.

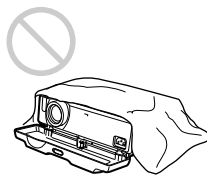


Placez-le de niveau



N'installez pas le projecteur à d'autres endroits qu'au sol.
Ne faites pas fonctionner le projecteur s'il est incliné vers le haut ou vers le bas. De telles installations peuvent être à l'origine de dysfonctionnements.

Dégagez les orifices de ventilation



Ne recouvrez pas les orifices de ventilation du projecteur, faute de quoi une surchauffe interne risque de se produire.

Spécifications

Caractéristiques optiques

Système de projection	Système de projection à 3 panneaux LCD, 1 objectif
Panneau LCD	Panneau LCD TFT 0,7 pouce, 1.440.000 pixels (480.000 pixels × 3)
Objectif	Zoom 1,3x f 28,7 à 37,4 mm/F 1,7 à 2,1
Lampe	UHP de 120 W
Dimensions de l'image projetée	Plage: 40 à 150 pouces (en diagonale)
Flux lumineux	Lumen ANSI ¹⁾ 600 lm
Distance de projection (lorsque le signal SVGA est entré)	40 pouces : 1580 à 2010 mm (62 1/4 à 78 25/32 pouces) 60 pouces : 2390 à 3060 mm (94 1/8 à 120 1/2 pouces) 80 pouces : 3210 à 4100 mm (126 1/2 à 161 1/2 pouces) 100 pouces : 4030 à 5150 mm (158 11/16 à 202 7/8 pouces) 120 pouces : 4850 à 6200 mm (191 à 244 1/8 pouces) 150 pouces : 6080 à 7780 mm (239 1/2 à 306 3/8 pouces)

1) La luminosité ANSI est une méthode de mesure conforme à l'American National Standard IT 7.228.

Caractéristiques électriques

Système couleur	NTSC3.58/PAL/SECAM/ NTSC4.43/PAL-M/PAL-N, commutation automatique/ manuelle
Résolution	600 lignes TV horizontales (entrée vidéo) 800 × 600 points (entrée RVB)
Signaux d'ordinateur compatibles	fH: 15 à 91 kHz fV: 43 à 85 Hz
Haut-parleur	Haut-parleurs stéréo, 36 mm (1 7/16 pouces) de diamètre, max. 0,5 W × 2

Entrée/sortie

Entrée vidéo	VIDEO type phono Vidéo composite : 1 Vcc ±2 dB de synchro négative (terminaison à 75 ohms) S VIDEO : miniconnecteur DIN Y/C à 4 broches (mâle) Y (luminance) : 1 Vcc ±2 dB de synchro négative (terminaison à 75 ohms) C (chrominance) : salve 0,286 Vcc ±2 dB (NTSC) (terminaison à 75 ohms), salve 0,3 Vcc ±2 dB (PAL) (terminaison à 75 ohms)
INPUT A:	HD D-sub à 15 broches (femelle) RVB analogique/à composantes: R/R-Y : 0,7 Vcc ±2 dB (terminaison à 75 ohms) G : 0,7 Vcc ±2 dB (terminaison à 75 ohms) G avec synchro/Y : 1 Vcc ±2 dB synchro négative (terminaison à 75 ohms) B/B-Y : 0,7 Vcc ±2 dB (terminaison à 75 ohms) SYNC/HD: Entrée synchro composite : 1-5 Vcc haute impédance, positive négative Entrée synchro horizontale : 1-5 Vcc haute impédance, positive négative VD : Entrée synchro verticale : 1-5 Vcc haute impédance, positive/négative
MOUSE:	6 broches (femelle) <i>(Pour plus de détails, voir "Signaux d'entrée et paramètres réglables/de réglage" à la page 38.)</i>
AUDIO:	Miniprise stéréo 500 mVrms, impédance supérieure à 47 kilohms
Plate-forme USB:	Envoi (type B: femelle) × 1 Réception (type A: femelle) × 1
Réglémentation de sécurité :	UL1950, CSA No. 950, FCC Class B, IC Class B NEMKO EN60950, CE, C-Tick, CCIB

Généralités

Dimensions	277 × 70 × 214 mm (11 × 2 7/8 × 8 1/2 pouces) (l/h/p) (avec le couvercle avant refermé, sans les parties saillantes)
Poids	Approx. 2,9 kg (sans bandoulière)
Alimentation	100 à 240 V CA, 1,9 – 0,8A, 50/60 Hz
Consommation électrique	Max. 190 W (Mode de veille : 4,2 W)
Dissipation de chaleur	648,4 BTU
Température de fonctionnement	0°C à 35°C (32°F à 95°F)
Humidité de fonctionnement	35% à 85% (sans condensation)
Température de stockage	-20°C à 60°C (-4°F à 140°F)
Humidité de stockage	10% à 90%
Accessoires fournis	Télécommande RM-PJM1 (1) Piles R03 (AAA) (2) HD D-sub à 15 broches (2 m) (1) Câble souris PS/2 (2 m) (1) Câble USB de type A – de type B (1) Logiciel d'application (1) Mallette de transport (1) Cordon d'alimentation (1) Filtre à air (pour remplacement) (1) Mode d'emploi (1) Carte de référence rapide (1)

La conception et les spécifications sont sujettes à modifications sans préavis.

Accessoires en option

Lampe pour projecteur	LMP-C120 (pour remplacement)
Câble de signal	SMF-402 (HD D-sub à 15 broches (mâle) y ↔ 3 × type phono (mâle))
Câble de moniteur	SMF-410 (HD D-sub à 15 broches (mâle) y ↔ HD D-sub à 15 broches (mâle))
Adaptateur de signal	ADP-20 (Macintosh y ↔ HD D-sub à 15 broches)
Ecrans	Ecran portable de 50 pouces VPS-50C ¹⁾

Ecran plat de 100 pouces
VPS-100FH

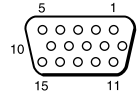
Ecran plat de 120 pouces
VPS-120FH

Il est possible que certains de ces accessoires ne soient pas disponibles dans certaines régions. Pour plus de détails, veuillez consulter votre revendeur Sony.

1) Il se peut que l'écran VPS-50C ne soit pas disponible dans toutes les régions. Pour plus de détails, veuillez consulter votre revendeur Sony.

Affectation des broches

Connecteur INPUT A (HD D-sub à 15 broches, femelle)



1	R/R-Y	9	N.C.
2	G/Y	10	GND
3	B/B-Y	11	GND
4	GND	12	N.C.
5	GND	13	HD/C.Sync
6	GND (R)	14	VD
7	GND (G)	15	N.C.
8	GND (B)		

Connecteur MOUSE (6 broches, femelle)



1	DATA
2	N.C.
3	GND
4	+5V
5	CLK
6	N.C.

Divers

Signaux d'entrée et paramètres réglables/de réglage

Menu CTRL IMAGE

Paramètre	Signal d'entrée			
	Vidéo ou S vidéo (Y/C)	Compo-sant	RVB	B&W
CONTRASTE	●	●	●	●
LUMIERE	●	●	●	●
COULEUR	●	●	-	-
TEINTE	● (NTSC 3.58/ 4.43 uniquement)	-	-	-
NETTETE	●	●	-	●
IMAGE D.	●	●	-	●
MODE GAMMA	-	-	●	-
TEMP COULEU	●	●	●	●
STANDARD	●	-	-	●

● : Réglable/peut être réglé

- : Non réglable/ne peut être réglé

menu REGL ENTREE

Paramètre	Signal d'entrée			
	Vidéo ou S vidéo (Y/C)	Compo-sante	RVB	B&W
PHASE	-	-	●	-
AMPL (dimension horizontale)	-	-	●	-
DEPL. (déplacement)	-	-	●	-
CONV FREQ	-	-	●	-
FORMAT	●	●	-	●

● : Réglable/peut être réglé

- : Non réglable/ne peut être réglé

Signaux de présélection

N° de mémoire	Signal de présélection		fH (kHz)	fV (Hz)	Synchro	AMPL (dimension horizontale)	
1	Vidéo 60 Hz		15,734	59,940	/	/	
2	Vidéo 50 Hz		15,625	50,000			
3	RVB 15k/à composantes 60 Hz		15,734	59,940			S sur G/Y ou Composite Synchro
4	RVB 15k/à composantes 50 Hz		15,625	50,000			S sur G/Y ou Composite Synchro
6	640 × 350	VGA mode 1	31,469	70,086	H-pos, V-nég	800	
7		VGA VESA 85 Hz	37,861	85,080	H-pos, V-nég	832	
8	640 × 400	PC-9801 Normal	24,823	56,416	H-nég, V-nég	848	
9		VGA mode 2	31,469	70,086	H-nég, V-pos	800	
10		VGA VESA 85 Hz	37,861	85,080	H-nég, V-pos	832	
11	640 × 480	VGA mode 3	31,469	59,940	H-nég, V-nég	800	
12		Macintosh 13"	35,000	66,667	H-nég, V-nég	864	
13		VGA VESA 72 Hz	37,861	72,809	H-nég, V-nég	832	
14		VGA VESA 75 Hz	37,500	75,000	H-nég V-nég	840	
15		VGA VESA 85 Hz	43,269	85,008	H-nég V-nég	832	
16	800 × 600	SVGA VESA 56 Hz	35,156	56,250	H-pos, V-pos	1024	
17		SVGA VESA 60 Hz	37,879	60,317	H-pos, V-pos	1056	
18		SVGA VESA 72 Hz	48,077	72,188	H-pos, V-pos	1040	
19		SVGA VESA 75 Hz	46,875	75,000	H-pos, V-pos	1056	
20		SVGA VESA 85 Hz	53,674	85,061	H-pos, V-pos	1048	
21	832 × 624	Macintosh 16"	49,724	74,550	H-nég, V-nég	1152	
22	1024 × 768	XGA VESA 43 Hz	35,522	43,479	H-pos, V-pos	1264	
23		XGA VESA 60 Hz	48,363	60,004	H-nég V-nég	1344	
24		XGA VESA 70 Hz	56,476	70,069	H-nég V-nég	1328	
25		XGA VESA 75 Hz	60,023	75,029	H-pos, V-pos	1312	
26		XGA VESA 85 Hz	68,677	84,997	H-pos, V-pos	1376	
27	1152 × 864	SXGA VESA 70 Hz	63,995	70,016	H-pos, V-pos	1472	
28		SXGA VESA 75 Hz	67,500	75,000	H-pos, V-pos	1600	
29		SXGA VESA 85 Hz	77,487	85,057	H-pos, V-pos	1568	
30	1152 × 900	Sunmicro LO	61,795	65,960	H-nég, V-nég	1504	
31		Sunmicro HI	71,713	76,047	H-nég, V-nég	1472	

Divers

N° de mémoire	Signal de présélection		fH (kHz)	fV (Hz)	Synchro	AMPL (dimension horizontale)
32	1280 × 960	SXGA VESA 60 Hz	60,000	60,000	H-pos, V-pos	1800
33		SXGA VESA 75 Hz	75,000	75,000	H-pos, V-pos	1728
34	1280 × 1024	SXGA VESA 43 Hz	46,433	43,436	H-pos, V-pos	1696
35		SGI-5	53,316	50,062	S on G	1680
36		SXGA VESA 60 Hz	63,974	60,013	H-pos, V-pos	1696
37		SXGA VESA 75 Hz	79,976	75,025	H-pos, V-pos	1688
38		SXGA VESA 85 Hz	91,146	85,024	H-pos, V-pos	1296

Avertissement relatif au raccordement secteur

Utilisez un cordon d'alimentation adéquat pour votre alimentation secteur locale.

	Les Etats-Unis, le Canada		L'Europe continentale	Le Royaume-Uni, l'Irlande, l'Australie, la Nouvelle-Zélande	Le Japon
Type de fiche	VM0233	290B	YP-12A	__ 1)	VM1296
Extrémité femelle	VM0089	386A	YC-13B	VM0310B	VM10505
Type de cordon	SJT	SJT	H05VV-F	N13237/CO-228	HVCTF
Tension & courant nominal	10A/125V	10A/125V	10A/250V	10A/250V	13A/125V
Approbation de sécurité	UL/CSA	UL/CSA	VDE	VDE	DENTORI

1) **Remarque** : Utilisez une prise correspondant à la réglementation en vigueur dans votre région.

Index

A

- Accessoires en option37
- Accessoires fournis37
- Affectation des broches ..37
- Alimentation
 - mise sous tension19
- AMPL (dimension horizontale)25

C

- Câble de souris
 - affectation des broches 37
 - connexion15
- Capteur de télécommande
 - arrière7
 - avant7
 - réglage27
- Connecteur INPUT A9
 - affectation des broches 37
- Connecteur souris9
 - affectation des broches 37
- Connecteur USB9, 14
- Connexions
 - appareil à composantes ... 15
 - magnétoscope15
 - ordinateur13
- CONTRASTE23
- CONVFREQ (convertisseur de balayage)25
- COULEUR23

D

- DEPL. (déplacement)25
- DURÉE LAMPE27

E

- Emplacement et fonction des commandes
 - arrière/côté droit6
 - avant/gauche/bas6
 - panneau des connecteurs 9
 - Télécommande10
- ENT. A26
- ETAT (affichage sur écran) 26

- Exemples d'installation ..12
 - positions déconseillées 34
 - remarques34

F

- Filtre à air29
- FORMAT25

G

- Guide de dépannage31

I

- IMAGE D. (dynamique) 23

L

- LANGAGE27
 - sélection de la langue de menu17
- LUMIERE23

M

- MEMOIRE TRAPEZ26
- Menu
 - désactivation de l'af-fichage du menu ..22
 - Menu CTRL IMAGE ..23
 - Menu REGL ENTREE ... 24
 - Menu REGLAGE26
 - utilisation du MENU ..22
 - Menu CTRL IMAGE23
 - Menu REGL ENTREE ...24
 - Menu REGLAGE26
- Message
 - avertissement33
 - précaution33
- MODE ECO8, 27
- MODE GAMMA23

N

- NETTETE23

O

- Orifices de ventilation
 - prise d'air7
 - sortie d'air7

P

- PHASE24

Pile

- remarques11
- Poignée de transport7
- Précautions4

R

- RECEPTEUR SIRCS .7, 27
- Réglage
 - de l'image20, 23
 - de la taille/déplacement de l'image25
 - mémoire des réglages ..22
- Réinitialisation
 - paramètres réinitialisables22
 - réinitialisation du paramètre22
- Remarques
 - installation11
- Remplacement de la lampe 28

S

- Spécifications36
- STANDARD (système coupleur)24

T

- Taille d'écran12, 36
- TEINTE23
- Télécommande
 - emplacement et fonction des commandes ...10
 - installation des piles ...11
- TEMP COULEU23
- TRAPEZE NUMER.27

ADVERTENCIA

Para evitar el riesgo de incendio o electrocución, no exponga la unidad a la lluvia ni a la humedad.

Para evitar recibir descargas eléctricas, no abra el aparato. Contrate exclusivamente los servicios de personal cualificado.

La toma de corriente debe encontrarse cerca del equipo y ser de fácil acceso.

Contenido

Descripción general

Precauciones	4
Características	5
Ubicación y función de los controles	6
Lateral frontal/izquierdo/ inferior	6
Lateral posterior/derecho	6
Panel de control	8
Panel de conectores	9
Mando a distancia	10

Instalación y proyección

Instalación del proyector	12
Conexión del proyector	13
Conexión con un ordenador	13
Conexión con una videgrabadora o con un equipo RGB de 15k/componente	15
Selección del idioma del menú	17
Proyección	19

Realización de ajustes mediante el menú

Uso del MENU	22
Menú CTRL IMAGEN	23
Menú AJUS ENTRAD	24
Menú AJUSTE	26

Mantenimiento

Mantenimiento	27
Sustitución de la lámpara	27
Limpieza del filtro de aire	28
Solución de problemas	29
Mensajes de aviso	31
Mensajes de precaución	32

Otros

Notas sobre la instalación	33
Instalación inadecuada	33
Condiciones inadecuadas	34
Especificaciones	34
Índice	39

Precauciones

Seguridad

- Compruebe que la tensión de funcionamiento de la unidad sea la misma que la del suministro eléctrico local.
- Si se introduce algún objeto sólido o líquido en la unidad, desenchúfela y haga que sea revisada por personal especializado antes de volver a utilizarla.
- Desenchufe la unidad de la toma mural cuando no vaya a utilizarla durante varios días.
- Para desconectar el cable, tire del enchufe. Nunca tire del propio cable.
- La toma mural debe encontrarse cerca de la unidad y ser de fácil acceso.
- La unidad no estará desconectada de la fuente de alimentación de CA (toma de corriente) mientras esté conectada a la toma mural, aunque haya apagado la propia unidad.
- No mire al objetivo mientras la lámpara esté encendida.
- No coloque la mano ni objetos cerca de los orificios de ventilación, ya que el aire que sale es caliente.
- Tenga cuidado de no pillarse los dedos con el ajustador cuando levante el proyector. No ejerza excesiva presión sobre la parte superior del proyector con el ajustador fuera.

Iluminación

- Con el fin de obtener imágenes con la mejor calidad posible, la parte frontal de la pantalla no debe exponerse a la luz solar ni a iluminaciones directas.
- Se recomienda instalar una luz proyectora en el techo. Cubra las lámparas fluorescentes para evitar la disminución de la relación de contraste.
- Cubra con tela opaca las ventanas que estén orientadas hacia la pantalla.
- Es recomendable instalar el proyector en una sala cuyo suelo y paredes no se compongan de materiales que reflejen la luz. Si el suelo y las paredes se componen de dicho tipo de material, se recomienda cambiar el color de éstos por uno oscuro.

Prevención del calentamiento interno

Después de desactivar la alimentación con la tecla I / ⏻, no desconecte la unidad de la toma mural mientras el ventilador de enfriamiento se encuentre en funcionamiento.

Precaución

El proyector está equipado con orificios de ventilación de aspiración en el lateral inferior y de exhaustación en las partes izquierda y posterior. No bloquee dichos orificios ni coloque nada cerca de ellos, ya que si lo hace puede producirse recalentamiento interno, causando el deterioro de la imagen o daños al proyector.

Limpieza

- Para mantener el exterior como nuevo, límpiolo periódicamente con un paño suave. Las manchas persistentes pueden eliminarse con un paño ligeramente humedecido en una solución detergente poco concentrada. No utilice nunca disolventes concentrados, como diluyente, bencina o limpiadores abrasivos, ya que dañarán el exterior.
- Evite tocar el objetivo. Utilice un paño seco y suave para eliminar el polvo del objetivo. No utilice un paño húmedo, soluciones detergentes ni diluyentes.
- Limpie el filtro con regularidad.

Embalaje

- Guarde la caja y los materiales de embalaje originales, ya que resultarán útiles cuando tenga que embalar la unidad. Para obtener una máxima protección, vuelva a embalar la unidad cómo fue embalada originalmente en fábrica.

Características

Alta portabilidad

- **Peso ligero y tamaño reducido**

El peso de este proyector se ha reducido a aproximadamente 2,9 kg (6 lb 6 oz), siendo el tamaño de archivo B5. Esto se ha conseguido mediante la adopción de un nuevo mecanismo plegable. Igualmente, el proyector dispone de un asa de transporte y de una correa extraíble con el fin de poder transportarlo fácilmente con el ordenador.

Reducción de ruido

El ruido se ha reducido, gracias al nuevo mecanismo de enfriamiento que el proyector emplea.

Alto brillo y alta calidad de imagen

- **Alto brillo**

La adopción del sistema óptico de reciente creación y la lámpara UHP de 120 W permiten obtener un alto brillo (salida de luz de 600 ANSI lumen) e imágenes con una excelente uniformidad.

- **Alta resolución**

Los tres paneles SVGA de unos 480.000 píxeles y de 0,7 pulgadas proporcionan una resolución de 800 × 600 puntos para la entrada RGB y 600 líneas de TV horizontales para la entrada de vídeo.

Configuración sencilla y fácil presentación

- **Configuración sencilla con equipos externos**

Este proyector está predefinido para 37 tipos de señales de entrada. Es posible proyectar imágenes desde una fuente de señales externa mediante la simple conexión del equipo con el cable suministrado y la pulsación de la tecla APA.

- **Sencillas funciones del mando a distancia con control de ratón**

Es posible emplear un ordenador con el mando a distancia, ya que la unidad dispone de un receptor de ratón incorporado.

Compatible con la función hub USB (Bus serie universal)

Es posible conectar el proyector a un equipo USB, como un ratón USB, y controlar desde un ordenador dicho proyector mediante el empleo del software de aplicación suministrado.¹⁾

Con dicho software, podrá abrir el archivo que desee utilizar para realizar presentaciones con el mando a distancia suministrado.

Admisión de distintas señales de entrada

- **Convertidor de exploración incorporado**

Este proyector dispone de un convertidor de exploración incorporado que convierte la señal de entrada a un valor dentro de 800 × 600 puntos.

- **Señales de entrada compatibles**

Este proyector admite señales de vídeo compuestas, S vídeo y de componente, así como RGB de 15k, VGA, SVGA, XGA y SXGA, pudiendo mostrar todas ellas.

- **Compatible con seis sistemas de color**

Es posible seleccionar automática o manualmente el sistema de color NTSC, PAL, SECAM, NTSC^{4.43²⁾}, PAL-M o PAL-N.

-
- Windows es una marca comercial registrada de Microsoft Corporation en Estados Unidos y/o en otros países.
 - VGA, SVGA, XGA y SXGA son marcas comerciales registradas de International Business Machines Corporation, EE.UU.
 - Macintosh es una marca comercial registrada de Apple Computer, Inc.
 - IBM PC/AT es una marca comercial registrada de International Business Machines Corporation, EE.UU.

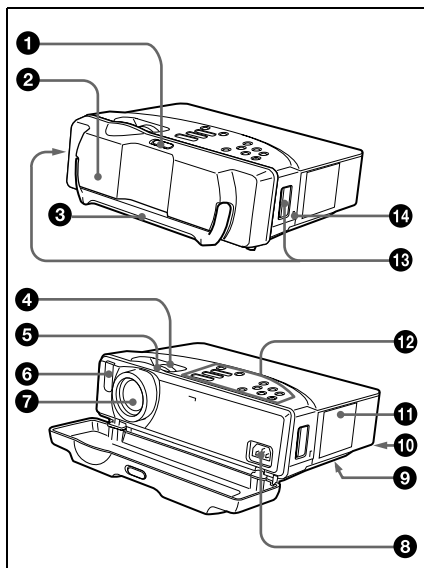
- VESA es una marca comercial registrada de Video Electronics Standard Association.
- Display Data Channel (Canal de datos de visualización) es una marca comercial de Video Electronics Standard Association.
- PC-98 es una marca comercial de NEC Corporation.

1) El software de aplicación suministrado y la función hub USB de este proyector son compatibles con el modelo preinstalado de Windows 98.

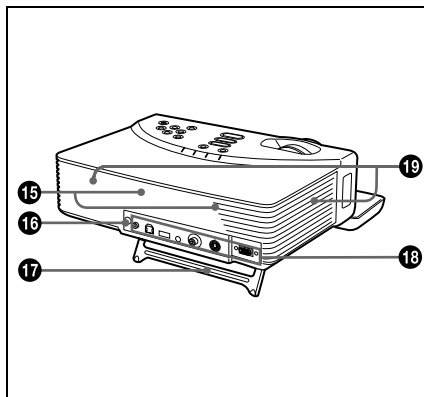
2) NTSC^{4.43} es el sistema de color utilizado para reproducir vídeos grabados en NTSC en una videogradora de sistema NTSC^{4.43}.

Ubicación y función de los controles

Lateral frontal/izquierdo/inferior



Lateral posterior/derecho



1 Botón de bloqueo

2 Cubierta frontal

Deslice el botón de bloqueo para abrir la cubierta frontal. La pata de la parte inferior del proyector se abrirá. Al proyectar la imagen, coloque el proyector sobre una superficie plana con la pata abierta.

3 Asa de transporte

Tire del asa hacia arriba para transportar el proyector.

4 Anillo de zoom

Ajusta el tamaño de la imagen.

5 Anillo de enfoque

Ajusta el enfoque de la imagen.

6 Detector frontal de control remoto (receptor SIRCS)

7 Objetivo

8 Clavija AC IN

Conecta el cable de alimentación de CA suministrado.

9 Orificios de ventilación (aspiración)/cubierta del filtro de aire (parte inferior)

Notas

- No coloque nada cerca de los orificios de ventilación, ya que puede producirse recalentamiento interno.
- No coloque la mano ni objetos cerca de los orificios de ventilación, ya que el aire que sale puede producir recalentamiento.
- Para mantener un rendimiento óptimo, **limpie el filtro de aire cada 300 horas.**

10 Cubierta de la lámpara (parte inferior)

11 Orificios de ventilación (exhaustación)

12 Panel de control

Para más información, consulte "Panel de control" en la página 8.

13 Compartimiento para la correa de hombro

14 Bloqueo de seguridad

Se conecta a un cable opcional de seguridad (Kensington).

El bloqueo de seguridad corresponde al sistema de seguridad MicroSaver de Kensington.

Si desea realizar algún comentario, póngase en contacto:

Kensington
2853 Campus Drive
San Mates, CA 94403
EE.UU.
Teléfono: 800-535-4242:
extensión 3348

Dirección en Internet:
<http://www.kensington.com/>

15 Altavoz

16 Detector posterior de control remoto (receptor SIRCS)

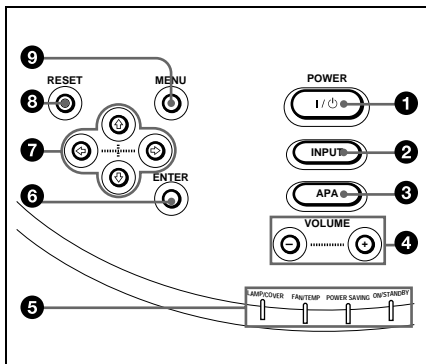
17 Pata

18 Panel de conectores

Para más información, consulte "Panel de conectores" en la página 9.

19 Orificios de ventilación (aspiración)

Panel de control



1 I / ⏻ Tecla (encendido/espera)

Enciende y apaga el proyector cuando éste se encuentra en el modo de espera. El indicador ON/STANDBY se iluminará en verde al activar la alimentación.

Para desactivar la alimentación, pulse la tecla I / ⏻ dos veces siguiendo el mensaje en pantalla, o pulse y mantenga pulsada la tecla durante un segundo aproximadamente.

Para más información sobre los pasos para desactivar la alimentación, consulte “Para desactivar la alimentación” en la página 21.

2 Tecla INPUT

Selecciona la señal de entrada. Cada vez que pulse la tecla, la señal de entrada cambiará entre la entrada de vídeo y el conector INPUT A.

3 Tecla APA (Alineación automática de píxeles)

Permite obtener la imagen más nítida posible de forma automática al introducir una señal de un ordenador.

4 Teclas VOLUME +/-

Ajustan el volumen de los altavoces incorporados.

+ : Aumenta el volumen.

- : Disminuye el volumen.

5 Indicadores

• **LAMP/COVER:** Se ilumina o parpadea en las siguientes condiciones:

- Se ilumina cuando la lámpara llega al final de su duración o cuando alcanza una temperatura alta.
- Parpadea cuando la cubierta de la lámpara o la del filtro de aire no está firmemente asegurada.

• **FAN/TEMP (Temperatura):**

Se ilumina o parpadea en las siguientes condiciones:

- Se ilumina cuando la temperatura del interior del proyector es inusualmente alta.
- Parpadea cuando el ventilador está averiado.

• **POWER SAVING:** Se ilumina cuando el proyector se encuentra en el modo de ahorro de energía.

Si AHORRO ENERGÍA del menú AJUSTE está ajustado en SI, el proyector entrará en el modo de ahorro de energía si no se introduce ninguna señal durante 10 minutos. Aunque la lámpara se apague, el ventilador de enfriamiento seguirá funcionando. En el modo de ahorro de energía, no funciona ninguna tecla durante los primeros 30 segundos. Dicho modo se cancelará al introducirse alguna señal o al pulsar cualquier tecla.

• **ON/STANDBY:** Se ilumina o parpadea en las siguientes condiciones:

- Se ilumina en rojo al enchufar el cable de alimentación de CA en una toma mural. Una vez en el modo de espera, podrá encender el proyector con la tecla I / ⏻.
- Se ilumina en verde cuando la alimentación está activada.
- Parpadea en verde mientras el ventilador de enfriamiento funciona tras desactivar la alimentación con la tecla I / ⏻. El ventilador funciona durante unos 90 segundos tras desactivar la alimentación.

El indicador ON/STANDBY parpadea rápidamente durante los primeros 30 segundos. Durante este espacio de tiempo, no es posible volver a activar la alimentación con la tecla I / ⏻.

Para más información sobre los indicadores LAMP/COVER y FAN/TEMP, consulte la página 31.

6 Tecla ENTER

Introduce los ajustes de los elementos del sistema de menú.

7 Teclas de flecha (↑/↓/←/→)

Seleccionan el menú o permiten realizar diversos ajustes.

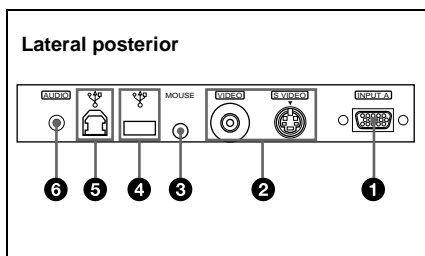
8 Tecla RESET

Permite recuperar el valor ajustado en fábrica de los elementos. Esta tecla funciona cuando el menú o un elemento de ajuste se encuentra en pantalla.

9 Tecla MENU

Muestra el menú en pantalla. Vuelva a pulsarla para que el menú desaparezca.

Panel de conectores



1 Conector INPUT A (HD D-sub de 15 pines, hembra)

Conéctelo a un equipo externo, como un ordenador.

Se conecta a la salida de monitor de un ordenador mediante el cable suministrado. Cuando introduzca una señal de componente o RGB de 15k, utilice un cable opcional.

2 Conector de entrada de vídeo

Conéctelo a un equipo externo de vídeo, como una videgrabadora.

- **S VIDEO (mini DIN de 4 pines):**
Se conecta a la salida de S vídeo (salida de vídeo Y/C) de un equipo de vídeo.
- **VIDEO (tipo fonográfico):**
Se conecta a la salida de vídeo compuesta de un equipo de vídeo.

Nota

Si conecta un equipo de vídeo a las tomas S VIDEO y VIDEO, se seleccionará la señal de la toma S VIDEO. Cuando proyecte la imagen mediante la toma VIDEO, asegúrese de no conectar ningún cable a la toma S VIDEO.

3 Conector MOUSE (6 pines)

Se conecta al puerto de ratón PS/2 de un ordenador mediante el cable de ratón suministrado, para controlar la función de ratón del ordenador conectado.

4 Conector USB (enchufe USB A de flujo de entrada, 4 pines)

Conéctelo a un equipo USB, como un ratón, una cámara, etc.

5 Conector USB (enchufe USB B de flujo de salida, 4 pines)

Conéctelo al conector USB de un ordenador. Si conecta el proyector al ordenador, dicho proyector reconocerá el ratón del ordenador conectado al conector INPUT A, y podrá controlar la función de ratón con el mando a distancia suministrado. El software de aplicación suministrado puede instalarse en el ordenador conectado a este conector.

6 Conector AUDIO (minitoma estéreo)

Cuando escuche el sonido de salida del ordenador, conéctelo a la salida de audio de dicho ordenador.

Cuando escuche el sonido de salida de la videograbadora, conéctelo a la salida de audio de dicha videograbadora.

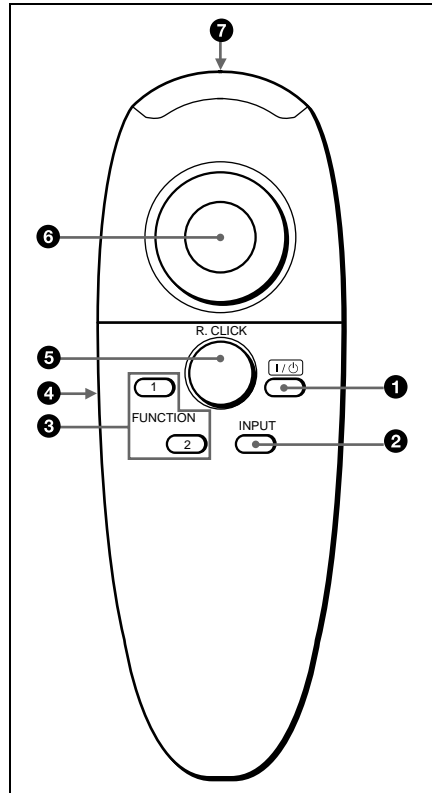
Este conector funciona como entrada de audio de los conectores INPUT A, VIDEO y S VIDEO.

Mando a distancia

Las teclas que tienen los mismos nombres a las del panel de control funcionan de la misma forma.

Es posible controlar el ordenador conectado mediante el mando a distancia.

Para más información, consulte “Para controlar el ordenador mediante el mando a distancia suministrado” en la página 20.



1 I / ⏻ Tecla

2 Tecla INPUT

3 Teclas FUNCTION 1, 2

Si almacena un archivo en la tecla FUNCTION 1 o 2 utilizando el software de aplicación suministrado, podrá abrir el archivo pulsando la tecla correspondiente.

Para más información, consulte los archivos README y HELP suministrados con dicho software.

4 Tecla L CLICK

Funciona como el botón izquierdo de un ratón.

5 Tecla R CLICK

Funciona como el botón derecho de un ratón.

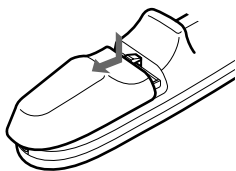
6 “Joystick”

Funciona como el ratón del ordenador conectado a la unidad.

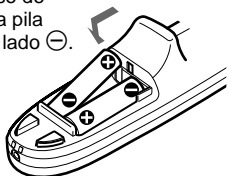
7 Transmisor infrarrojo

Para instalar las pilas

- 1** Empuje y deslice la tapa para abrirla y, a continuación, instale las dos pilas de tamaño AAA (R03) (suministradas) con la polaridad correcta.



Asegúrese de instalar la pila desde el lado ⊖.



- 2** Vuelva a colocar la tapa.

Notas sobre las pilas

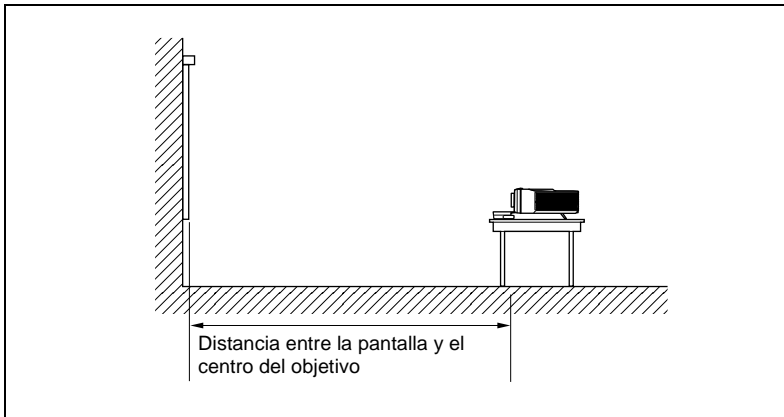
- Compruebe que la orientación de las pilas es correcta cuando las inserte.
- No mezcle pilas usadas con nuevas, ni diferentes tipos de pilas.
- Cuando no vaya a emplear el mando a distancia durante mucho tiempo, extraiga las pilas para evitar daños por fugas de las mismas. Si se producen fugas de las pilas, extráigalas, limpie y seque el compartimiento de las mismas y sustitúyalas por una nuevas.

Notas sobre el empleo del mando a distancia

- Compruebe que nada obstruya el haz infrarrojo entre el mando a distancia y el detector de control remoto del proyector. Oriente el mando a distancia hacia el detector frontal o posterior de control remoto.
- El margen de operación es limitado. Cuanto menor sea la distancia entre el mando y el proyector, mayor será el ángulo de control del mando sobre el proyector.

Instalación del proyector

En esta sección se describe cómo instalar el proyector.
La distancia entre el objetivo y la pantalla varía en función del tamaño de ésta.
Utilice la siguiente tabla como referencia.



Unidad: m (pies)

Tamaño de la pantalla (pulgadas)	40	60	80	100	120	150
Distancia mínima	1,6 (5,2)	2,4 (7,8)	3,2 (10,5)	4,0 (13,2)	4,9 (15,9)	6,1 (20,0)
Distancia máxima	2,0 (6,6)	3,1 (10,0)	4,1 (13,5)	5,2 (16,9)	6,2 (20,3)	7,8 (25,5)

Nota

No es posible instalar el proyector al revés, como por ejemplo en el techo.

Conexión del proyector

Cuando realice las conexiones, asegúrese de realizar lo siguiente:

- Apague todos los equipos antes de realizar cualquier conexión.
- Utilice los cables apropiados para cada conexión.
- Inserte los enchufes de los cables adecuadamente. A menudo, los enchufes no insertados por completo producen ruido. Cuando desconecte un cable, asegúrese de tirar del enchufe, no del propio cable.

Nota

Los cables de ratón suministrados pueden no funcionar apropiadamente en función del ordenador.

Conexión con un ordenador

En esta sección se describe cómo conectar el proyector a un ordenador. Para más información, consulte el manual de instrucciones del ordenador.

Notas

- El proyector admite señales VGA, SVGA, XGA y SXGA. No obstante, se recomienda ajustar el modo de salida del ordenador en SVGA para el monitor externo.
- Si ajusta el ordenador, como por ejemplo de tipo portátil, para que envíe la señal a la pantalla del mismo y al monitor externo, la imagen de dicho monitor puede no aparecer correctamente. Ajuste el ordenador para que envíe la señal solamente al monitor externo.

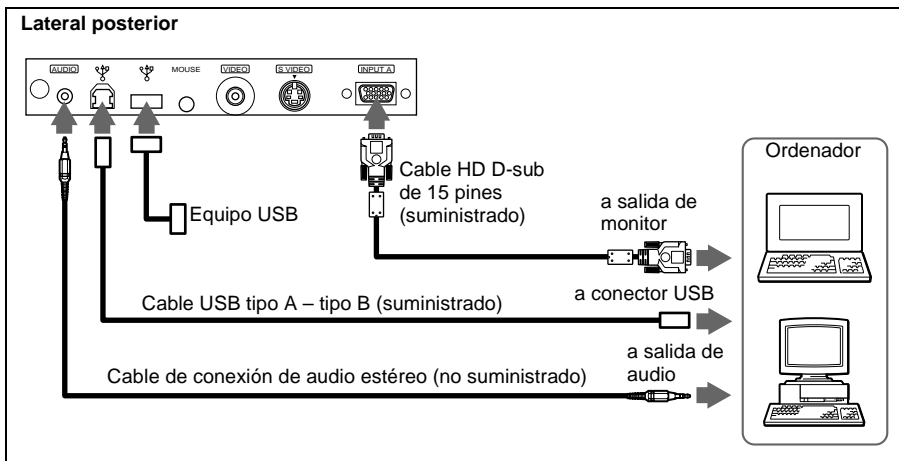
Para más información, consulte el manual de instrucciones suministrado con el ordenador.

- Los cables de ratón suministrados pueden no funcionar apropiadamente en función del ordenador.
- Este proyector es compatible con un DDC2B (Canal de datos digitales 2B). Si el ordenador es compatible con un DDC, encienda el proyector de acuerdo con los siguientes procedimientos.

- 1** Conecte el proyector al ordenador mediante el cable HD D-sub de 15 pines suministrado.
- 2** Encienda el proyector.
- 3** Inicie el ordenador.

Para conectar un ordenador compatible IBM PC/AT

Si utiliza un ratón USB y un equipo USB



Notas

- Si utiliza el software de aplicación suministrado, conecte el ordenador como muestra la anterior ilustración. Este software de aplicación y la función hub USB pueden utilizarse en un ordenador que disponga del modelo preinstalado de Windows 98.
- Puesto que el proyector reconoce el ratón USB cuando el ordenador está conectado al conector USB, no conecte nada al puerto de ratón PS/2.
- Es posible que el ordenador no se inicie correctamente si está conectado al conector USB del proyector mediante el cable USB. En este caso, primero desconecte el cable USB, reinicie el ordenador y, a continuación, conecte éste al proyector con el cable USB suministrado con el proyector.

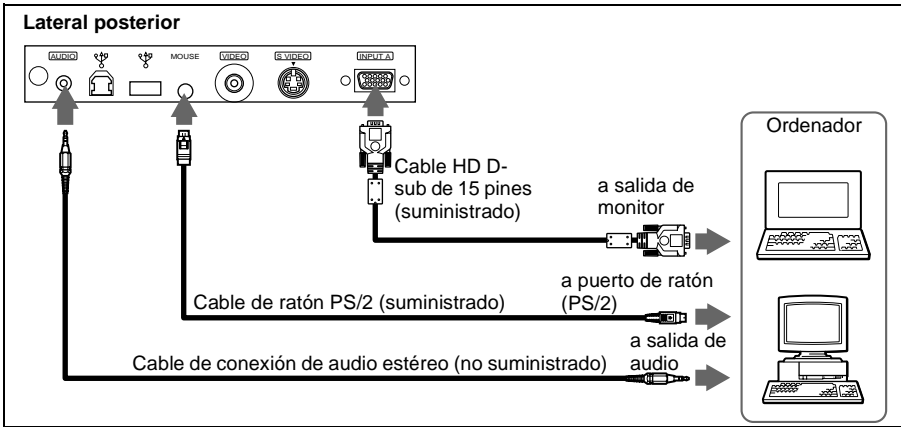
Sobre la función hub USB

Al conectar por primera vez el proyector a un ordenador mediante el cable USB, dicho ordenador reconocerá automáticamente los siguientes dispositivos.

- 1 Hub USB (uso general)
- 2 Dispositivo de interfaz USB (función de ratón inalámbrico)
- 3 Dispositivo de interfaz USB (función de control de proyector)

Exceptuando los dispositivos anteriormente mencionados, el ordenador reconoce el dispositivo conectado al conector de flujo de entrada del proyector.

Si utiliza un puerto de ratón PS/2



Para conectar un ordenador Macintosh

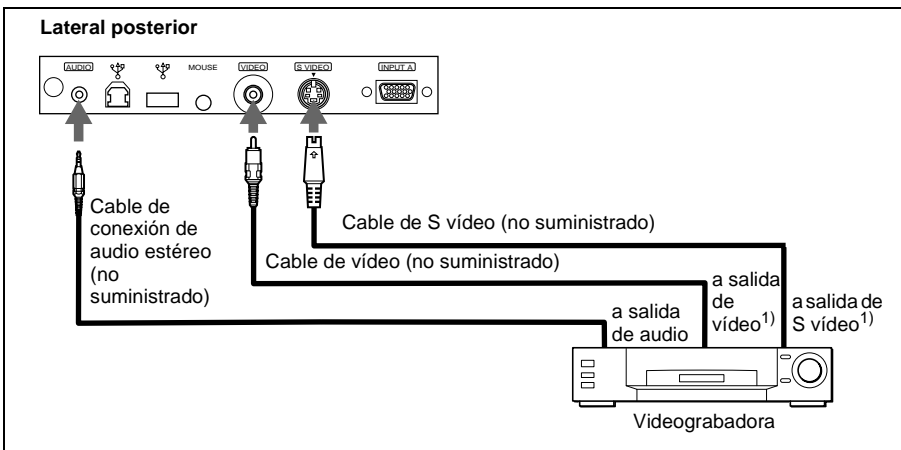
Utilice un adaptador de señales ADP-20 (no suministrado). No obstante, en este caso, no podrá controlar el ratón del ordenador mediante el mando a distancia.

Conexión con una videgrabadora o con un equipo RGB de 15k/componente

En esta sección se describe cómo conectar el proyector a una videgrabadora y a un equipo RGB de 15k/componente.

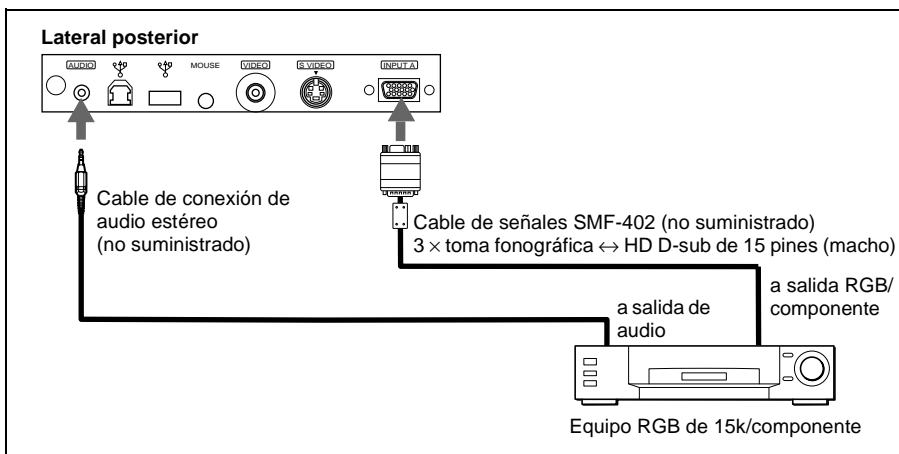
Para más información, consulte el manual de instrucciones del equipo que conecte.

Para conectar una videgrabadora



1) Si las tomas S VIDEO y VIDEO están conectadas al equipo externo, se seleccionará la señal de entrada de la toma S VIDEO.

Para conectar un equipo RGB de 15k/componente

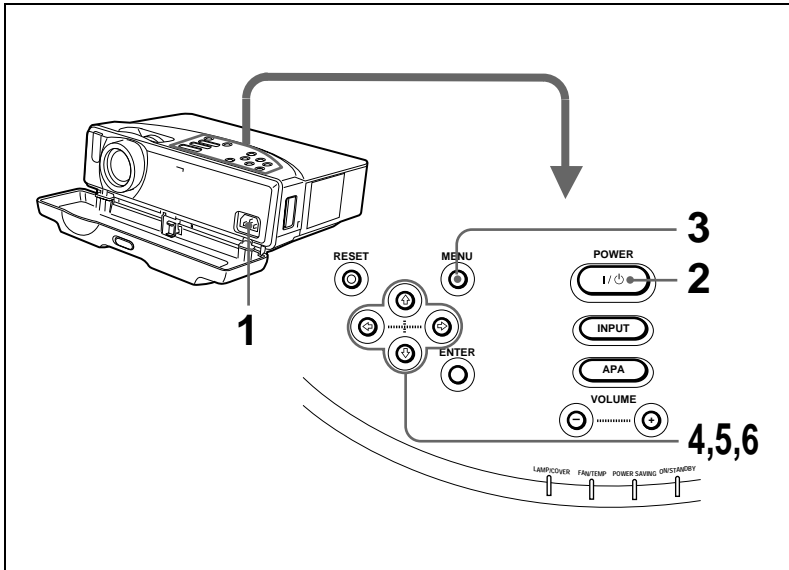


Notas

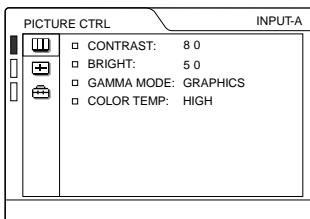
- Ajuste la relación de aspecto mediante ASPECTO del menú AJUS ENTRAD en función de la señal de entrada.
- Si conecta la unidad a un equipo RGB de 15k /de vídeo componente, seleccione RGB o componente con el ajuste ENTRAD A del menú AJUSTE.
- Utilice la señal de sincronización compuesta cuando introduzca la señal de sincronización externa del equipo RGB de 15k/componente.

Selección del idioma del menú

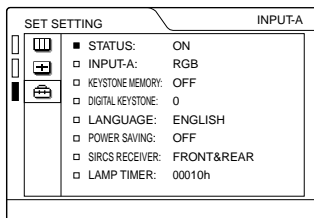
Es posible seleccionar el idioma que se desee entre los siete existentes para el menú y demás indicaciones en pantalla. El ajuste de fábrica es el idioma inglés.



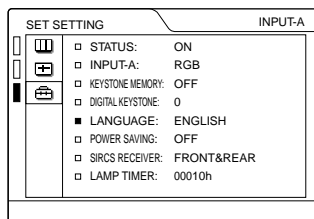
- 1** Abra la cubierta frontal y, a continuación, enchufe el cable de alimentación de CA en una toma mural.
- 2** Pulse la tecla I / power para encender el proyector.
- 3** Pulse la tecla MENU.
Aparecerá el menú.
El menú actualmente seleccionado se muestra como un botón amarillo.



- 4 Pulse la tecla **↑** o **↓** para seleccionar el menú SET SETTING (AJUSTE) y, a continuación, pulse la tecla **→**, o ENTER. Aparecerá el menú seleccionado.



- 5 Pulse la tecla **↑** o **↓** para seleccionar "LANGUAGE" (IDIOMA) y, a continuación, pulse la tecla **→**, o ENTER.



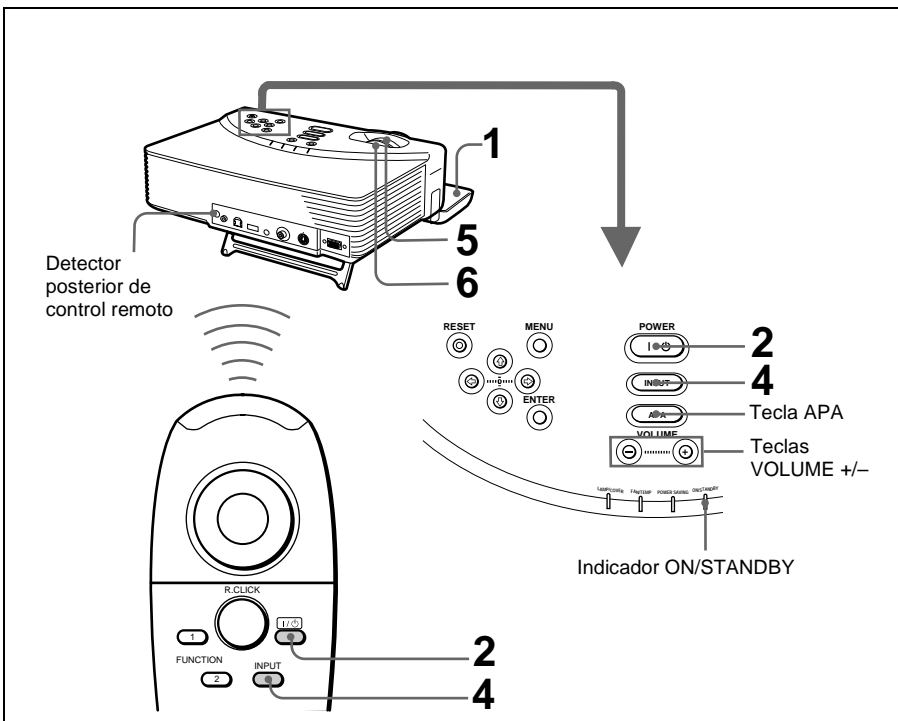
- 6 Pulse la tecla **↑** o **↓** para seleccionar un idioma y, a continuación, pulse la tecla **←** o ENTER. El menú aparecerá en el idioma seleccionado.

Para que el menú desaparezca

Pulse la tecla MENU.

El menú desaparecerá automáticamente si no pulsa ninguna tecla durante un minuto.

Proyección



Instalación y proyección

- 1** Abra la cubierta frontal, enchufe el cable de alimentación de CA en una toma mural y, a continuación, conecte todos los equipos. El indicador ON/STANDBY se iluminará en rojo y el proyector entrará en el modo de espera.
- 2** Pulse la tecla I / ⏻. El indicador ON/STANDBY se iluminará en verde.
- 3** Encienda el equipo conectado al proyector.
- 4** Pulse la tecla INPUT para seleccionar la fuente de entrada.

Para introducir desde	Pulse INPUT para que aparezca
El ordenador conectado al conector INPUT A	ENTRAD A
El equipo de vídeo conectado al conector de entrada de vídeo ¹⁾	VIDEO

1) Si realiza la conexión a las tomas S VIDEO y VIDEO, se seleccionará la señal de la toma S VIDEO.

5 Gire el anillo de zoom para ajustar el tamaño de la imagen.

6 Gire el anillo de enfoque para ajustar el enfoque.

Precaución

Si mira al objetivo mientras proyecta, puede dañarse los ojos.

Para ajustar el volumen

Pulse las teclas VOLUME +/- del panel de control.

Para controlar el ordenador mediante el mando a distancia suministrado

Si conecta un IBM PC/AT compatible al proyector, podrá controlar el ratón del ordenador con el mando a distancia.

Las teclas R/L CLICK y el "joystick" funcionan de la siguiente forma.

Tecla y " joystick"	Función
R CLICK (frontal)	Botón derecho
L CLICK (posterior)	Botón izquierdo
"Joystick"	Se corresponde con los movimientos del ratón

Nota

Compruebe que nada obstruya el haz infrarrojo entre el mando a distancia y el detector de control remoto del proyector.

Para obtener imágenes con la mayor nitidez posible

Es posible ajustar la calidad de imagen al proyectar una señal del ordenador.

1 Projete una imagen fija del ordenador.


2 Pulse la tecla APA.

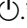
"Completado." aparecerá en pantalla si la imagen está adecuadamente ajustada.

Notas

- Pulse la tecla APA cuando aparezca la imagen completa en pantalla. Si hay bordes negros alrededor de la imagen, la función APA no se activará adecuadamente y la imagen puede extenderse más allá de la pantalla.
- Si cambia la señal de entrada o vuelve a conectar un ordenador, pulse la tecla APA de nuevo para volver a ajustar la imagen.
- Es posible cancelar el ajuste pulsando la tecla APA de nuevo mientras "AJUSTANDO" se encuentra en pantalla.
- La imagen puede no ajustarse adecuadamente en función del tipo de señal de entrada.
- Defina los elementos del menú AJUS ENTRAD cuando ajuste la imagen manualmente.


Para desactivar la alimentación

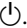
1 Pulse la tecla I / .


“DESACTIVAR? Por favor, vuelva a pulsar I / .

” aparecerá para confirmar que desea desactivar la alimentación.

Nota


Los mensajes desaparecerán si pulsa cualquier tecla, excepto I / , o si no pulsa ninguna tecla durante cinco segundos.

2 Vuelva a pulsar la tecla I / .

El indicador ON/STANDBY parpadeará en verde y el ventilador seguirá funcionando durante unos 90 segundos para reducir el calentamiento interno. Igualmente, el indicador ON/STANDBY parpadeará rápidamente durante los primeros 30 segundos. Durante este espacio de tiempo, no será posible volver a activar la alimentación con la tecla I / .

3 Desenchufe el cable de alimentación de CA de la toma mural cuando el ventilador deje de funcionar y el indicador ON/STANDBY se ilumine en rojo.

Si no puede confirmar el mensaje en pantalla

Si no puede confirmar el mensaje en pantalla en una determinada condición, puede desactivar la alimentación manteniendo pulsada la tecla I /  durante un segundo aproximadamente.

Nota

No desenchufe el cable de alimentación de CA mientras el ventilador esté funcionando; si lo hace, éste se detendrá aunque el calentamiento interno sea aún alto, lo que podría causar que el proyector se averíase.

Para cerrar la pata

Si no va a utilizar el proyector, cierre la cubierta frontal primero y, después, pliegue la pata hacia arriba en la parte inferior del proyector manualmente hasta el final.

Filtro de aire

Para mantener un rendimiento óptimo, **limpie el filtro de aire cada 300 horas.**

Uso del MENU

El proyector dispone de un menú en pantalla que permite realizar diversos ajustes.

Es posible realizar todas las operaciones de menú con el panel de control de esta unidad.

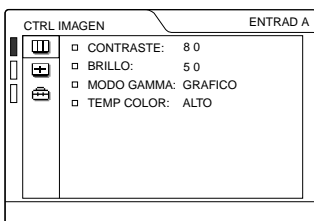
Igualmente, es posible cambiar el idioma del menú en pantalla.

Para cambiar el idioma del menú, consulte “Selección del idioma del menú” en la página 17.

1 Pulse la tecla MENU.

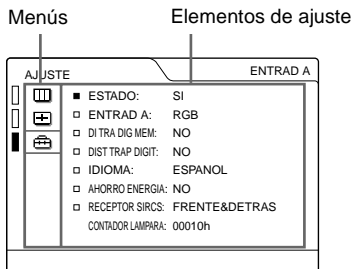
Aparecerá el menú.

El menú actualmente seleccionado se muestra como un botón amarillo.



2 Utilice la tecla ↑ o ↓ para seleccionar un menú y, a continuación, pulse la tecla →, o ENTER.

Aparecerá el menú seleccionado.



3 Seleccione un elemento.

Utilice la tecla ↑ o ↓ para seleccionar el elemento y, a continuación, pulse la tecla →, o ENTER.

4 Realice ajustes en el elemento.

- Al cambiar el nivel de ajuste
Para que el número aumente, pulse la tecla ↑ o →.
Para que el número disminuya, pulse la tecla ↓ o ←.
Pulse la tecla ENTER para recuperar la pantalla original.
- Al cambiar el ajuste
Pulse la tecla ↑ o ↓ para cambiar el ajuste.
Pulse la tecla ENTER o ← para recuperar la pantalla original.

Para que el menú desaparezca

Pulse la tecla MENU.

El menú desaparecerá automáticamente si no pulsa ninguna tecla durante un minuto.

Para reajustar elementos ajustados

Pulse la tecla RESET.

“Completado.” aparecerá en pantalla y los ajustes mostrados en ésta recuperarán los valores de fábrica.

Los elementos que pueden reajustarse son los siguientes:

- “CONTRASTE”, “BRILLO”, “COLOR”, “TONALIDAD” y “NITIDEZ” del menú CTRL IMAGEN
- “FASE PUNTO”, “TAMANO” y “DESPLAZ” del menú AJUS ENTRAD.
- “DIST TRAP DIG” del menú AJUSTE.

Acerca de la memoria de los ajustes

Los ajustes se almacenan automáticamente en la memoria del proyector.

Si no se introduce ninguna señal

Si no se introduce ninguna señal, la pantalla mostrará “SIN ENTRADA–Imposible ajustar este parámetro.”

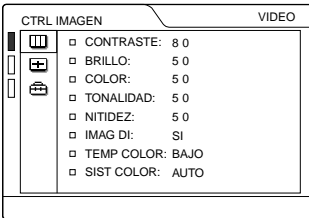
Menú CTRL IMAGEN

El menú CTRL (control) IMAGEN se utiliza para ajustar la imagen.

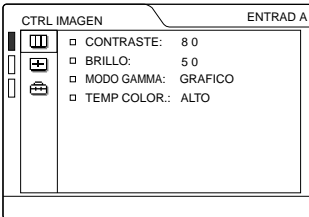
Los elementos que no pueden ajustarse dependiendo de la señal de entrada no aparecen en el menú.

Para más información sobre los elementos que no pueden ajustarse, consulte la página 36.

Si se introduce la señal de vídeo



Si se introduce la señal RGB



Elementos de menú

CONTRASTE

Ajusta el contraste de la imagen. Cuanto mayor sea el ajuste, mayor será el contraste. Cuanto menor sea el ajuste, menor será el contraste.

BRILLO

Ajusta el brillo de la imagen. Cuanto mayor sea el ajuste, mayor será el brillo de la imagen. Cuanto menor sea el ajuste, menor será el brillo de la imagen.

COLOR

Ajusta la intensidad del color. Cuanto mayor sea el ajuste, mayor será la intensidad. Cuanto menor sea el ajuste, menor será la intensidad.

TONALIDAD

Ajusta los tonos del color. Cuanto mayor sea el ajuste, la imagen adquirirá un tono verdoso. Cuanto menor sea el ajuste, la imagen adquirirá un tono púrpura.

NITIDEZ

Ajusta la nitidez de la imagen. Cuanto mayor sea el ajuste, mayor será la nitidez de la imagen. Cuanto menor sea el ajuste, la imagen aparecerá con mayor suavidad.

IMAG DI (Dinámica)

Enfatiza el color negro.

SI: Enfatiza el color negro para producir imágenes “dinámicas” más marcadas.

NO: Reproduce las partes oscuras de la imagen con precisión, de acuerdo con la señal fuente.

MODO GAMMA

Selecciona una curva de corrección gamma.

GRAFICO: Mejora la reproducción de los tonos medios. Las fotografías pueden reproducirse en tonos naturales.

TEXTO: Contrasta el blanco y el negro.

Adecuado para imágenes que contienen mucho texto.

TEMP COLOR

Ajusta la temperatura del color.

ALTO: El color blanco adquiere un tono azulado.

BAJO: El color blanco adquiere un tono rojizo.

SIST (Sistema) COLOR

Selecciona el sistema de color de la señal de entrada.

- **AUTO:** NTSC_{3.58}, PAL, SECAM y NTSC_{4.43} (conmutación automática)
- **PAL-M/N:** PAL-M/PAL-N y NTSC_{3.58} (conmutación automática)

Normalmente, ajústelo en AUTO. Si la imagen se distorsiona o aparece sin color, seleccione el sistema de color de acuerdo con la señal de entrada.

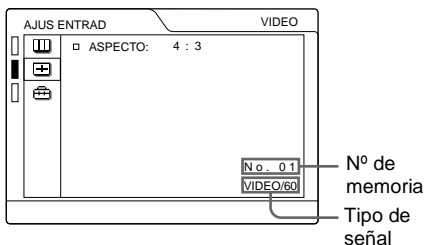
Menú AJUS ENTRAD

El menú AJUS ENTRAD se utiliza para ajustar la señal de entrada.

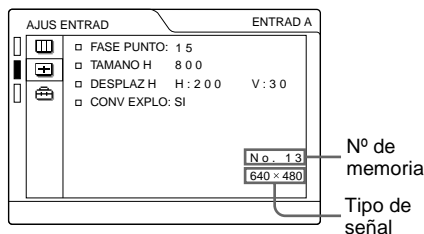
Los elementos que no pueden ajustarse dependiendo de la señal de entrada no aparecen en el menú.

Para más información sobre los elementos que no pueden ajustarse, consulte la página 36.

Si se introduce la señal de vídeo



Si se introduce la señal RGB



Elementos de MENU

FASE PUNTO

Ajusta la fase de puntos del panel LCD y la señal de entrada del conector INPUT A.

Ajuste la imagen en mayor medida una vez ajustada pulsando la tecla APA.

Ajuste la imagen en la posición en la que aparezca con mayor nitidez.

TAMANO

Ajusta el tamaño horizontal de la imagen introducida mediante el conector INPUT A. Cuando más alto sea el ajuste, mayor será el tamaño horizontal de la imagen. Cuando más bajo sea el ajuste, menor será el tamaño horizontal de la imagen. Ajuste el valor en función de los puntos de la señal de entrada.

Para más información sobre el valor adecuado para las señales predefinidas, consulte la página 37.

DESPLAZ

Ajusta la posición de la imagen introducida mediante el conector INPUT A. H ajusta la posición horizontal de la imagen, mientras que V ajusta la posición vertical.

Al aumentar el ajuste de H, la imagen se desplazará a la derecha, y al disminuir, se desplazará a la izquierda.

Al aumentar el ajuste de V, la imagen se desplazará hacia arriba, y al disminuir, se desplazará hacia abajo. Emplee la tecla ← o →, para ajustar la posición horizontal y la tecla ↑ y ↓ para la posición vertical.

CONV EXPLO (Convertidor de exploración)

Convierte la señal para mostrar la imagen en función del tamaño de la pantalla.

SI: Muestra la imagen de acuerdo con el tamaño de la pantalla. La imagen perderá cierta claridad.

NO: Muestra la imagen mientras hace coincidir un píxel de elemento de imagen de entrada con el del LCD. La imagen será nítida aunque su tamaño será menor.

Nota

Si se introduce la señal SVGA, XGA o SXGA, este elemento no aparecerá.

ASPECTO

Ajusta la relación de aspecto de la imagen. Si introduce la señal 16:9 (comprimida) desde un equipo como un reproductor de DVD, ajústelo en 16:9.

4:3: Si se introduce la imagen con relación 4:3.

16:9: Si se introduce la imagen con relación 16:9 (comprimida).

Acerca del nº de memoria predefinida

Este proyector dispone de 37 tipos de datos predefinidos de señales de entrada para ENTRAD A (memoria predefinida).

Al introducirse una señal predefinida, el proyector detecta automáticamente el tipo de señal y recupera los datos correspondientes a la misma de la memoria predefinida con el fin de ajustarla y obtener una imagen óptima. El número de memoria y el tipo de señal de esa señal aparecen en el menú AJUS ENTRAD. También es posible ajustar los datos predefinidos mediante el menú AJUS ENTRAD.

Este proyector dispone de 20 tipos de memorias de usuario para ENTRAD A en las que es posible guardar el ajuste de los datos definidos para una señal de entrada no predefinida.

Si se introduce una señal no predefinida por primera vez, aparecerá un número de memoria como 00. Cuando ajuste los datos de la señal en el menú AJUS ENTRAD, se registrarán en el proyector. Si se registran más de 20 memorias de usuario, la memoria más reciente siempre sobrescribirá la más antigua.

Consulte la tabla de la página 37 para averiguar si la señal está registrada en la memoria predefinida.

Puesto que los datos de las siguientes señales se recuperan de la memoria predefinida, puede emplear estos datos predefinidos ajustando TAMANO. Realice ajustes de precisión ajustando DESPLAZ.

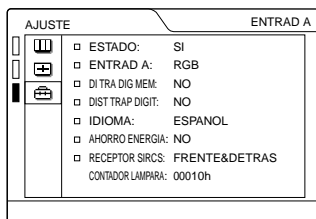
Señal	Nº de memoria	TAMANO
Super Mac-2	23	1312
SGI-1	23	1320
Macintosh 19"	25	1328
Macintosh 21"	28	1456
Sony News	36	1708
PC-9821 1280 × 1024	36	1600
WS Sunmicro	37	1664

Nota

Si la relación de aspecto de la señal de entrada no es 4:3, parte de la pantalla aparecerá en negro.

Menú AJUSTE

El menú AJUSTE se utiliza para cambiar los valores del proyector.



Elementos de menú

ESTADO (indicación en pantalla)

Ajusta la indicación en pantalla.

SI: Muestra todas las indicaciones en pantalla.

NO: Desactiva las indicaciones en pantalla, excepto los menús, el mensaje que aparece al desactivar la alimentación y los mensajes de aviso.

ENTRAD A

Selecciona la señal RGB o de componente introducida mediante el conector INPUT A.

Nota


Si el ajuste no es correcto, la pantalla mostrará “Compruebe ajuste ENTRAD A.” y el color de la imagen será extraño o ésta no aparecerá.

DI TRA DIG MEM

Memoriza los datos ajustados con DIST TRAP DIGIT.

DIST TRAP DIGIT

Ajusta la distorsión trapezoidal de la imagen que puede producirse dependiendo del ángulo de proyección.

Si la parte superior del trapecoide es más larga que la inferior  : Se ajusta en un valor más.

IDIOMA

Selecciona el idioma empleado en el menú y en las indicaciones en pantalla. Los idiomas disponibles son inglés, francés, alemán, italiano, español, japonés y chino.

AHORRO ENERGIA

Si se ajusta en SI, el proyector entrará en el modo de ahorro de energía si no se introduce ninguna señal durante 10 minutos.

RECEPTOR SIRCS

Selecciona los detectores de control remoto (receptor SIRCS) de las partes frontal y posterior del proyector.

FRENTE & DETRAS: Activa los detectores frontal y posterior.

FRENTE: Activa el detector frontal solamente.

DETRAS: Activa el detector posterior solamente.

CONTADOR LAMPARA

Indica el número total de horas de empleo de la lámpara actualmente en uso.

Mantenimiento

Sustitución de la lámpara

Cuando sea necesario sustituir la lámpara, hágalo inmediatamente y utilice una lámpara de proyector LMP-C120 nueva.

Al sustituir la lámpara después de utilizar el proyector

Apague el proyector y desenchufe el cable de alimentación.

Espere al menos una hora hasta que la lámpara se enfríe.

Precaución

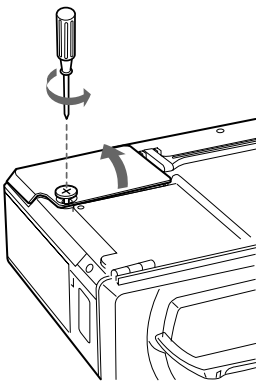
La temperatura de la lámpara será alta después de apagar el proyector con la tecla I / O . Si toca la lámpara, es posible que se queme el dedo. Antes de sustituir la lámpara, espere al menos una hora hasta que se enfríe.

- 1 Coloque una hoja (pañó) de protección debajo del proyector. Dé la vuelta al proyector de forma que vea su parte inferior.

Nota

Asegúrese de que el proyector se encuentra en posición estable después de haberle dado la vuelta.

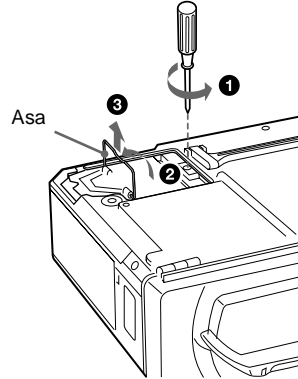
- 2 Abra la cubierta de la lámpara. Para ello, afloje un tornillo con el destornillador Phillips (suministrado con la lámpara LMP-C120).



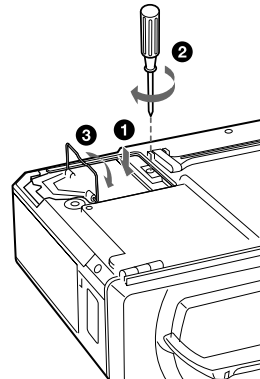
Nota

Para mayor seguridad, no afloje otros tornillos.

- 3 Afloje el tornillo de la unidad de lámpara con el destornillador Phillips. Tire de la unidad de lámpara hacia fuera mediante el asa.



- 4 Inserte por completo la lámpara nueva hasta que quede encajada en su sitio. Apriete el tornillo y pliegue el asa hacia arriba.



Notas

- Tenga cuidado de no tocar la superficie de cristal de la lámpara.
- La alimentación no se activará si la lámpara no está firmemente instalada.

- 5 Cierre la cubierta de la lámpara y apriete los tornillos.

6 Vuelva a darle la vuelta al proyector.

7 Conecte el cable de alimentación y ajuste el proyector en el modo de espera.

8 Pulse las siguientes teclas del panel de control en el siguiente orden durante menos de cinco segundos cada una: RESET, ←, →, ENTER.

Notas

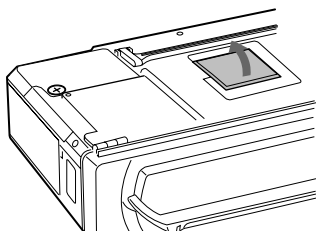
- Asegúrese de utilizar la lámpara de proyector LMP-C120 para la sustitución. Si utiliza otras lámparas que no sean la LMP-C120, el proyector puede causar fallos de funcionamiento.
- Compruebe que apaga el proyector y desenchufa el cable de alimentación antes de sustituir la lámpara.
- Con el fin de evitar descargas eléctricas o incendios, no introduzca las manos en el compartimento de sustitución de la lámpara, ni permita que se introduzcan líquidos u objetos.

Limpeza del filtro de aire

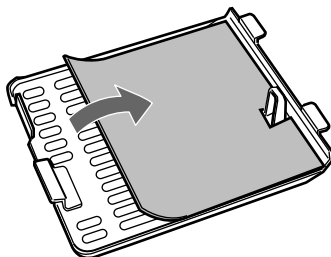
El filtro de aire debe limpiarse cada 300 horas. Si resulta difícil eliminar el polvo del filtro, sustitúyalo por uno nuevo. Realice los siguientes pasos para limpiar el filtro de aire:

1 Desactive la alimentación y desenchufe el cable de alimentación.

2 Dé la vuelta al proyector.



3 Extraiga la cubierta del filtro de aire.



4 Utilice una aspiradora para eliminar el polvo del filtro.

5 Fije el filtro de aire y vuelva a colocar la cubierta.

Notas

- Si el filtro de aire está excesivamente sucio, lávelo con una solución detergente poco concentrada y déjelo secar a la sombra. Si no es posible eliminar el polvo, sustituya el filtro de aire por el nuevo suministrado.
- Asegúrese de fijar firmemente la cubierta del filtro de aire; la alimentación no se activará si no está firmemente cerrada.
- El filtro de aire tiene una cara frontal y otra inversa. Colóquelo de forma que encaje en una hendidura de la cubierta del mismo.

Solución de problemas

Si el proyector parece no funcionar correctamente, intente diagnosticar y corregir el problema utilizando las siguientes instrucciones. Si el problema no se soluciona, consulte con personal Sony especializado.

Alimentación

Problema	Causa y solución
La alimentación no se activa.	<ul style="list-style-type: none">• La alimentación se ha desactivado y activado de nuevo con la tecla 1 / ⏻ en un corto intervalo. → Espere unos 90 segundos antes de activar la alimentación (consulte la página 21).• La cubierta de la lámpara no está fijada. → Cierre firmemente la cubierta de la lámpara (consulte la página 27).• La cubierta del filtro de aire no está fijada. → Cierre firmemente la cubierta del filtro de aire (consulte la página 28).
Los indicadores LAMP/COVER y FAN/TEMP se iluminan.	<ul style="list-style-type: none">• Se ha producido una avería en el sistema eléctrico. → Consulte con personal Sony especializado.

Imagen

Problema	Causa y solución
No aparece la imagen.	<ul style="list-style-type: none">• El cable está desconectado o las conexiones son incorrectas. → Compruebe que ha realizado las conexiones adecuadas (consulte la página 13).• La selección de entrada es incorrecta. → Seleccione la fuente de entrada correctamente con la tecla INPUT (consulte la página 19).• La señal del ordenador no está ajustada para enviarse a un monitor externo. → Ajuste la señal del ordenador para enviarse a un monitor externo (consulte la página 13).• La señal del ordenador está ajustada para enviarse al LCD del mismo y a un monitor externo. → Ajuste la señal del ordenador para enviarse solamente al monitor externo (consulte la página 13).
La imagen aparece con ruido.	<ul style="list-style-type: none">• Puede aparecer ruido de fondo en función de la combinación de los números de entrada de puntos del conector y los números de píxel del panel LCD. → Cambie el patrón del escritorio del ordenador conectado.
El color de la imagen del conector INPUT A es extraño.	<ul style="list-style-type: none">• El ajuste de ENTRAD A del menú AJUSTE es incorrecto. → Seleccione RGB o COMPONENTES para ENTRAD A en el menú AJUSTE en función de la señal de entrada (consulte la página 26).

Problema	Causa y solución
Aparece “Compruebe ajuste ENTRAD A.” a pesar de introducir la señal correcta mediante INPUT A.	<ul style="list-style-type: none"> • El ajuste de ENTRAD A del menú AJUSTE es incorrecto. <ul style="list-style-type: none"> → Seleccione RGB o COMPONENTES para ENTRAD A en el menú AJUSTE en función de la señal de entrada (consulte la página 26).
La indicación en pantalla no aparece.	<ul style="list-style-type: none"> • Ha ajustado ESTADO en el menú AJUSTE en NO. <ul style="list-style-type: none"> → Ajuste ESTADO en el menú AJUSTE en SI (consulte la página 26).
El balance de color es incorrecto.	<ul style="list-style-type: none"> • No ha ajustado la imagen adecuadamente. <ul style="list-style-type: none"> → Ajuste la imagen (consulte la página 23). • El proyector está ajustado en un sistema de color incorrecto. <ul style="list-style-type: none"> → Defina SIST COLOR en el menú CTRL IMAGEN de acuerdo con el sistema de color de entrada (consulte la página 23).
La imagen es demasiado oscura.	<ul style="list-style-type: none"> • El contraste o el brillo no se ha ajustado adecuadamente. <ul style="list-style-type: none"> → Ajuste el contraste o el brillo en el menú CTRL IMAGEN correctamente (consulte la página 23).
La imagen no es nítida.	<ul style="list-style-type: none"> • La imagen está desenfocada. <ul style="list-style-type: none"> → Ajuste el enfoque (consulte la página 20). • Se ha condensado humedad en el objetivo. <ul style="list-style-type: none"> → Deje el proyector encendido durante unas dos horas.
La imagen en pantalla aparece demasiado pequeña.	<ul style="list-style-type: none"> • No ha ajustado DESPLAZ en el menú AJUS ENTRAD adecuadamente. <ul style="list-style-type: none"> → Ajuste DESPLAZ en el menú AJUS ENTRAD correctamente (consulte la página 24).
La imagen parpadea.	<ul style="list-style-type: none"> • No ha ajustado FASE PUNTO en el menú AJUS ENTRAD adecuadamente. <ul style="list-style-type: none"> → Ajuste FASE PUNTO en el menú AJUS ENTRAD correctamente (consulte la página 24).

Sonido

Problema	Causa y solución
No se oye el sonido.	<ul style="list-style-type: none"> • El cable está desconectado o las conexiones son incorrectas. <ul style="list-style-type: none"> → Compruebe que ha realizado las conexiones adecuadas (consulte la página 13).
Al introducir sonido mediante el conector AUDIO, el sonido se oye sólo por un canal.	<ul style="list-style-type: none"> • Introduce sonido monofónico a través del conector AUDIO. <ul style="list-style-type: none"> → Introduzca sonido estéreo.

Mando a distancia

Problema	Causa y solución
El mando a distancia no funciona.	<ul style="list-style-type: none"> • Las pilas del mando a distancia están agotadas. <ul style="list-style-type: none"> → Sustitúyalas por unas nuevas (consulte la página 11). • El detector de control remoto frontal/posterior está cerca de una lámpara fluorescente. <ul style="list-style-type: none"> → Cambie el ajuste de RECEPTOR SIRCS en el menú AJUSTE (consulte la página 26).

Problema	Causa y solución
El "joystick" o la tecla R CLICK o L CLICK no funciona.	<ul style="list-style-type: none"> • El puerto de ratón del ordenador no reconoce el cable de ratón. → Reinicie el ordenador.

Otros

Problema	Causa y solución
El indicador LAMP/COVER parpadea.	<ul style="list-style-type: none"> • La cubierta de la lámpara o la del filtro de aire no está fijada. → Fije la cubierta firmemente (consulte la página 27).
El indicador LAMP/COVER se ilumina.	<ul style="list-style-type: none"> • La lámpara ha llegado al final de su duración. → Sustituya la lámpara (consulte la página 27). • La temperatura de la lámpara es alta. → Espere 90 segundos para que la lámpara se enfríe y vuelva a activar la alimentación (consulte la página 27).
El indicador FAN/TEMP parpadea.	<ul style="list-style-type: none"> • El ventilador está averiado. → Consulte con personal Sony especializado.
El indicador FAN/TEMP se ilumina.	<ul style="list-style-type: none"> • La temperatura interna es inusualmente alta. → Compruebe que nada bloquea los orificios de ventilación.
Los indicadores LAMP/COVER y FAN/TEMP se iluminan.	<ul style="list-style-type: none"> • Se ha producido una avería en el sistema eléctrico. → Consulte con personal Sony especializado.

Mensajes de aviso

Utilice la siguiente lista para comprobar el significado de los mensajes mostrados en pantalla.

Mensaje	Significado y solución
Temperatura alta! Apag. 1min.	<ul style="list-style-type: none"> • La temperatura interna es demasiado alta. → Desactive la alimentación. → Compruebe que nada bloquea los orificios de ventilación.
Frecuencia fuera de rango!	<ul style="list-style-type: none"> • Esta señal de entrada no puede proyectarse, ya que la frecuencia se encuentra fuera del margen admisible del proyector. → Introduzca una señal que se encuentre dentro del margen de la frecuencia. • El ajuste de resolución de la señal de salida del ordenador es demasiado alto. → Defina el ajuste de salida en SVGA (consulte la página 13).
Compruebe ajuste ENTRAD A.	<ul style="list-style-type: none"> • Ha introducido la señal RGB del ordenador con ENTRAD A del menú AJUSTE definido en COMPONENTES. → Ajuste ENTRAD A correctamente (consulte la página 26).



 Mantenimiento

Mensajes de precaución

Utilice la siguiente lista para comprobar el significado de los mensajes mostrados en pantalla.

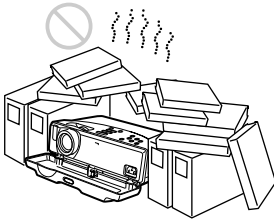
Mensaje	Significado y solución
SIN ENTRADA	<ul style="list-style-type: none">• Ninguna señal de entrada→ Compruebe las conexiones (consulte la página 13).
No aplicable!	<ul style="list-style-type: none">• Ha pulsado una tecla incorrecta.→ Pulse la tecla apropiada.

Notas sobre la instalación

Instalación inadecuada

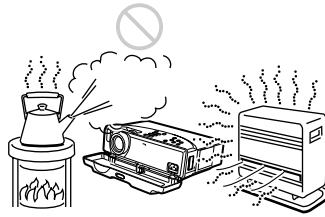
No instale el proyector en las siguientes situaciones. Estas instalaciones pueden producir fallos de funcionamiento o daños al proyector.

Ventilación escasa



- Permita una circulación de aire adecuada para evitar el recalentamiento interno. No coloque la unidad sobre superficies (alfombras, mantas, etc.) ni cerca de materiales (cortinas, tapices) que puedan bloquear los orificios de ventilación. Si se produce recalentamiento interno debido al bloqueo de los orificios, el sensor de temperatura se activará y aparecerá el mensaje “Temperatura alta! Apag. 1min.” La alimentación se desactivará automáticamente transcurrido un minuto.
- Deje un espacio superior a 30 cm alrededor de la unidad.
- Procure que los orificios de ventilación no aspiren, por ejemplo, trozos de papel.

Calor y humedad excesivos



- Evite instalar la unidad en lugares en los que la temperatura o la humedad sea muy alta, o en los que la temperatura sea muy baja.
- Para evitar que se condense humedad, no instale la unidad en lugares en los que la temperatura pueda aumentar rápidamente.

Polvo excesivo

Evite instalar la unidad en lugares en los que haya mucho polvo; en caso contrario, el filtro de aire se obstruirá. Si el polvo bloquea el paso de aire a través del filtro, es posible que el calentamiento interno del proyector aumente. Límpielo periódicamente.

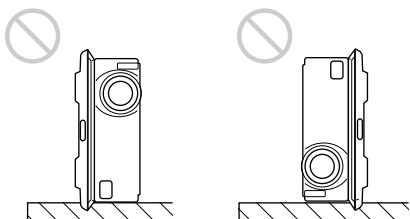


Condiciones inadecuadas

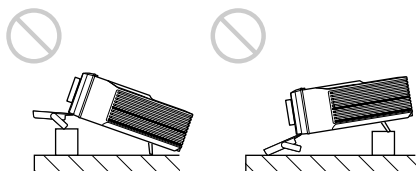
No emplee el proyector en las siguientes condiciones.

No emplee la unidad en posición vertical

Evite utilizar la unidad en posición vertical apoyada sobre su lateral. Pueden producirse fallos de funcionamiento.

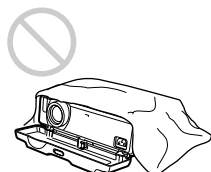


Inclinación de la unidad



Instale la unidad únicamente sobre el suelo. Evite utilizar la unidad inclinada hacia arriba o abajo. Esta instalación puede causar fallos de funcionamiento.

Bloqueo de los orificios de ventilación



Evite emplear algo que cubra los orificios de ventilación (exhaustación/aspiración); en caso contrario, es posible que se produzca recalentamiento interno.

Especificaciones

Características ópticas

Sistema de proyección	3 paneles LCD, 1 objetivo
Panel LCD	LCD TFT de 0,7 pulgadas, 1.440.000 píxeles (480.000 píxeles × 3)
Objetivo	Zoom de 1,3 veces f 28,7 a 37,4 mm/F 1,7 a 2,1
Lámpara	UHP de 120 W
Tamaño de imagen de proyección	Margen: 40 a 150 pulgadas (medida diagonal)
Salida de iluminación	ANSI lumen ¹⁾ 600 lm
Distancia de proyección (Al introducir la señal SVGA)	40 pulgadas: 1580 a 2010 mm (62 1/4 a 78 25/32 pulgadas) 60 pulgadas: 2390 a 3060 mm (94 1/8 a 120 1/2 pulgadas) 80 pulgadas: 3210 a 4100 mm (126 1/2 a 161 1/2 pulgadas) 100 pulgadas: 4030 a 5150 mm (158 11/16 a 202 7/8 pulgadas) 120 pulgadas: 4850 a 6200 mm (191 a 244 1/8 pulgadas) 150 pulgadas: 6080 a 7780 mm (239 1/2 a 306 3/8 pulgadas)

1) ANSI lumen es un método de medida de American National Standard IT 7.228.

Características eléctricas

Sistema de color	Sistema NTSC _{3.58} /PAL/SECAM/ NTSC _{4.43} /PAL-M/PAL-N, conmutado automática/ manualmente
Resolución	600 líneas de TV horizontales (Entrada de vídeo) 800 × 600 puntos (Entrada RGB)
Señales de ordenador admisibles	fH: 15 a 91 kHz fV: 43 a 85 Hz
Altavoz	Sistema de altavoces estéreo, 36 mm (1 7/16 pulgadas) de diámetro, máx. 0,5 W × 2

Entrada/Salida

Entrada de vídeo

VIDEO: tipo fonográfico
Vídeo compuesto: 1 Vp-p ±2 dB sincronización negativa (terminación de 75 ohmios)
S VIDEO: tipo Y/C mini DIN de 4 pines (macho)
Y (luminancia): 1 Vp-p ±2 dB sincronización negativa (terminación de 75 ohmios)
C (crominancia): sincronización de color
0,286 Vp-p ±2 dB (NTSC) (terminación de 75 ohmios), sincronización de color
0,3 Vp-p ±2 dB (PAL) (terminación de 75 ohmios)

INPUT A: HD D-sub de 15 pines (hembra)
RGB/componente analógico:
R/R-Y: 0,7 Vp-p ±2 dB (terminación de 75 ohmios)
G: 0,7 Vp-p ±2 dB (terminación de 75 ohmios)
G con sincronización/Y: 1 Vp-p ±2 dB sincronización negativa (terminación de 75 ohmios)
B/B-Y: 0,7 Vp-p ±2 dB (terminación de 75 ohmios)
SYNC/HD:
Entrada de sincronización compuesta: 1-5 Vp-p alta impedancia, positiva/negativa
Entrada de sincronización horizontal: 1-5 Vp-p alta impedancia, positiva/negativa VD:
Entrada de sincronización vertical: 1-5 Vp-p alta impedancia, positiva/negativa

MOUSE: 6 pines (hembra)
(Para más información, consulte "Señales de entrada y elementos ajustables/de ajuste" en la página 36.)

AUDIO: Minitoma estéreo
500 mVrms, impedancia superior a 47 kilohmios
Hub USB: Superior (tipo B: hembra) × 1
Inferior (tipo A: hembra) × 1

Normas de seguridad:
UL1950, CSA No. 950, FCC Clase B, IC Clase B
NEMKO EN60950, CE, C-Tick, CCIB

Generales

Dimensiones 277 × 70 × 214 mm (11 × 2 7/8 × 8 1/2 pulgadas) (an/al/prf) (con la cubierta frontal cerrada, sin partes salientes)

Peso Aprox. 2,9 kg (6 lb 6 oz) (sin correa)

Requisitos de alimentación CA 100 a 240 V, 1,9–0,8A, 50/60 Hz

Consumo de energía Máx. 190 W (Modo de espera: 4,2 W)

Disipación de calor 648,4 BTU

Temperatura de funcionamiento 0°C a 35°C (32°F a 95°F)

Humedad de funcionamiento 35% a 85% (sin condensación)

Temperatura de almacenamiento -20°C a 60°C (-4°F a 140°F)

Humedad de almacenamiento 10% a 90%

Accesorios suministrados

Mando a distancia RM-PJM1 (1)
Pilas tamaño AAA (R03) (2)
HD D-sub de 15 pines (2 m) (1)
Cable de ratón PS/2 (2 m) (1)
Cable USB tipo A – tipo B (1)
Software de aplicación (1)
Estuche de transporte (1)
Cable de alimentación de CA (1)
Filtro de aire (para sustitución) (1)
Manual de instrucciones (1)
Tarjeta de referencia rápida (1)

El diseño y las especificaciones están sujetos a cambios sin previo aviso.

Accesorios opcionales

Lámpara de proyector

LMP-C120 (para sustitución)

Cable de señales

SMF-402 (HD D-sub de 15 pines (macho) ↔ 3 × tipo fonográfico (macho))

Cable de monitor

SMF-410 (HD D-sub de 15 pines (macho) ↔ HD D-sub de 15 pines (macho))

Adaptador de señales

ADP-20 (Macintosh ↔ HD D-sub de 15 pines)

Pantallas Pantalla portátil de 50 pulgadas VPS-50C¹⁾

Pantalla plana de 100 pulgadas VPS-100FH

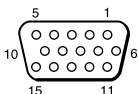
Otros

Algunos artículos pueden no estar disponibles en ciertas zonas. Para más información, consulte con el centro Sony más próximo.

- 1) La Pantalla VPS-50C puede no estar disponible en ciertas zonas. Para más información, consulte con el centro Sony más próximo.

Asignación de pines

Conector INPUT A (HD D-sub de 15 pines, hembra)



1	R/R-Y	9	N.C.
2	G/Y	10	GND
3	B/B-Y	11	GND
4	GND	12	N.C.
5	GND	13	HD/SincC.
6	GND (R)	14	VD
7	GND (G)	15	N.C.
8	GND (B)		

Conector MOUSE (6 pines, hembra)



1	DATA
2	N.C.
3	GND
4	+5V
5	CLK
6	N.C.

Señales de entrada y elementos ajustables/de ajuste

Menú CTRL IMAGEN

Elemento	Señal de entrada			
	Vídeo o S video (Y/C)	Com-ponente	RVA	B&N
CON-TRASTE	●	●	●	●
BRILLO	●	●	●	●
COLOR	●	●	–	–
TONALI-DAD	● (sólo NTSC 3.58/4.43)	–	–	–
NITIDEZ	●	●	–	●
IMAG DI	●	●	–	●
MODO GAMMA	–	–	●	–
TEMP COLOR	●	●	●	●
SIST COLOR	●	–	–	●

● : Ajustable/puede ajustarse

– : No ajustable/no puede ajustarse

Menú AJUS ENTRAD

Elemento	Señal de entrada			
	Vídeo o S video (Y/C)	Com-ponente	RVA	B&N
FASE PUNTO	–	–	●	–
TAMANO	–	–	●	–
DESPLAZ	–	–	●	–
CONV EXPLO	–	–	●	–
ASPECTO	●	●	–	●

● : Ajustable/puede ajustarse

– : No ajustable/no puede ajustarse

Señales predefinidas

Nº de memoria	Señal predefinida		fH (kHz)	fV (Hz)	Sincronización	TAMANO
1	Vídeo 60 Hz		15,734	59,940		
2	Vídeo 50 Hz		15,625	50,000		
3	RGB de 15k/Componente 60 Hz		15,734	59,940	S en G/Y o Sincronización compuesta	
4	RGB de 15k/Componente 50 Hz		15,625	50,000	S en G/Y o Sincronización compuesta	
6	640 × 350	Modo VGA 1	31,469	70,086	H-pos, V-neg	800
7		VGA VESA 85 Hz	37,861	85,080	H-pos, V-neg	832
8	640 × 400	PC-9801 Normal	24,823	56,416	H-neg, V-neg	848
9		Modo VGA 2	31,469	70,086	H-neg, V-pos	800
10		VGA VESA 85 Hz	37,861	85,080	H-neg, V-pos	832
11	640 × 480	Modo VGA 3	31,469	59,940	H-neg, V-neg	800
12		Macintosh 13"	35,000	66,667	H-neg, V-neg	864
13		VGA VESA 72 Hz	37,861	72,809	H-neg, V-neg	832
14		VGA VESA 75 Hz	37,500	75,000	H-neg V-neg	840
15		VGA VESA 85 Hz	43,269	85,008	H-neg V-neg	832
16	800 × 600	SVGA VESA 56 Hz	35,156	56,250	H-pos, V-pos	1024
17		SVGA VESA 60 Hz	37,879	60,317	H-pos, V-pos	1056
18		SVGA VESA 72 Hz	48,077	72,188	H-pos, V-pos	1040
19		SVGA VESA 75 Hz	46,875	75,000	H-pos, V-pos	1056
20		SVGA VESA 85 Hz	53,674	85,061	H-pos, V-pos	1048
21	832 × 624	Macintosh 16"	49,724	74,550	H-neg, V-neg	1152
22	1024 × 768	XGA VESA 43 Hz	35,522	43,479	H-pos, V-pos	1264
23		XGA VESA 60 Hz	48,363	60,004	H-neg V-neg	1344
24		XGA VESA 70 Hz	56,476	70,069	H-neg V-neg	1328
25		XGA VESA 75 Hz	60,023	75,029	H-pos, V-pos	1312
26		XGA VESA 85 Hz	68,677	84,997	H-pos, V-pos	1376
27	1152 × 864	SXGA VESA 70 Hz	63,995	70,016	H-pos, V-pos	1472
28		SXGA VESA 75 Hz	67,500	75,000	H-pos, V-pos	1600
29		SXGA VESA 85 Hz	77,487	85,057	H-pos, V-pos	1568
30	1152 × 900	Sunmicro LO	61,795	65,960	H-neg, V-neg	1504
31		Sunmicro HI	71,713	76,047	H-neg, V-neg	1472
32	1280 × 960	SXGA VESA 60 Hz	60,000	60,000	H-pos, V-pos	1800

Otros

Nº de memoria	Señal predefinida		fH (kHz)	fV (Hz)	Sincronización	TAMANO	
33	1280 × 960	SXGA VESA 75 Hz	75,000	75,000	H-pos, V-pos	1728	
34	1280 × 1024	SXGA VESA 43 Hz	46,433	43,436	H-pos, V-pos	1696	
35		SGI-5	53,316	50,062	S en G	1680	
36		SXGA VESA 60 Hz	63,974	60,013	H-pos, V-pos	1696	
37		SXGA VESA 75 Hz	79,976	75,025	H-pos, V-pos	1688	
38		SXGA VESA 85 Hz		91,146	85,024	H-pos, V-pos	1296

Advertencia sobre la conexión de la alimentación

Utilice un cable de alimentación adecuado al suministro eléctrico local.

	Estados Unidos, Canadá		Europa continental	Reino Unido, Irlanda, Australia, Nueva Zelanda	Japón
Tipo de enchufe	VM0233	290B	YP-12A	— ¹⁾	VM1296
Extremo hembra	VM0089	386A	YC-13B	VM0310B	VM10505
Tipo de cable	SJT	SJT	H05VV-F	N13237/CO-228	HVCTF
Corriente y tensión nominal	10A/125V	10A/125V	10A/250V	10A/250V	13A/125V
Aprobación de seguridad	UL/CSA	UL/CSA	VDE	VDE	DENTORI

1) **Nota:** Utilice un enchufe de valor nominal adecuado que cumpla con las regulaciones locales.

Índice

A

- Accesorios opcionales35
- Accesorios suministrados35
- AHORRO
 - ENERGIA8, 26
- AJUSTE26
- Ajuste
 - de la imagen20, 23
 - memoria de los ajustes22
 - tamaño/desplazamiento de la imagen24
- Alimentación
 - activación19
- Asa de transporte7
- Asignación de pines36
- ASPECTO25

B

- BRILLO23

C

- Cable de ratón
 - asignación de pines36
 - conexión15
- COLOR23
- Conector de ratón9
 - asignación de pines36
- Conector INPUT A9
 - asignación de pines36
- Conector USB10, 14
- Conexiones
 - equipo componente15
 - ordenador13
 - Videograbadora15
- CONTADOR
 - LAMPARA26
- CONTRASTE23
- CONV EXPLO (Convertidor de exploración)25

D

- DESPLAZ24
- Detector de control remoto
 - ajuste26
 - frontal7
 - posterior7
- DI TRA DIG MEM26
- DIST TRAP DIGIT26

E

- Ejemplos de instalación12
- condiciones inadecuadas33
- notas33
- ENTRAD A26
- Especificaciones34
- ESTADO (indicación en pantalla)26

F

- FASE PUNTO24
- Filtro de aire28

I

- IDIOMA26
 - selección del idioma del menú17
- IMAG DI (Dinámica)23

M

- Mando a distancia
 - instalación de las pilas11
 - ubicación y función de los controles10
- Mensaje
 - aviso31
 - precaución32
- Menú
 - AJUSTE26
 - desactivación de la pantalla de menú22
 - Menú AJUS
 - ENTRAD24
 - Menú CTRL
 - IMAGEN23
 - uso del menú22
 - Menú AJUS ENTRAD ...24

- Menú CTRL IMAGEN ..23
- MODO GAMMA23

N

- NITIDEZ23

O

- Orificios de ventilación
 - aspiración7
 - exhaustación7

P

- Pila
 - instalación11
 - notas11
- Precauciones4

R

- RECEPTOR SIRCS ...7, 26
- Restauración
 - elementos que pueden reajustarse22
 - reajuste del elemento ..22

S

- SIST (Sistema)
 - COLOR23
- Solución de problemas ...29
- Sustitución de la lámpara27

T

- TAMANO24
- Tamaño de la pantalla12, 34
- TEMP COLOR23
- TONALIDAD23

U

- Ubicación y función de los controles
 - lateral frontal/izquierdo/inferior ..6
 - lateral posterior/derecho6
- Mando a distancia10
- panel de conectores9
- panel de control8

